

indoor air quality and energy saving

TECHNICAL DATA



EASY-T 5





CRHE-V

Non-residential ventilator unit with dual flow and high yield heat recovery. All sizes are available also in the version with enthalpy exchanger

PERFORMANCE

Equipped with counter current heat exchanger in aluminium (Eurovent certified) and electronic backward blade ventilators. The total bypass as standard allows favourable climatic conditions to be taken advantage of outside the building for free cooling (or free heating) in automatic mode.

STRUCTURE

CRHE-V is manufactured using a profiled extruded aluminium frame and 36 mm thick sandwich panels, insulated in polyurethane foam. The panels and inner parts are manufactured in Aluzinc,[®] material that ensures high strength against corrosion and oxidation. A panel with shutter opening eases access to the filters (F7 for the renewed air flow and G4 for the extraction air flow). CRHE-V is prepared for installation outdoors (with an optional, specific protective roof) and indoors; it is supplied with 100 mm high aluminium bases for installation on the floor. Available in 6 sizes, it can be equipped with air post-treatment systems (inside the unit) such as: hot/cold water battery, electrical heater or direct expansion battery. CRHE-V was designed to enable easy configuration of the connection to the air distribution/captation ducts. It is also possible and easy to install post-air treatment devices after sale.

CONTROLLI

CRHE-V was supplied with an electric box and control system; it is available in a version equipped with EVO-PH control and a version equipped with EVOD-PH-IP control prepared for complete integration in home automation systems (Modbus protocol with Ethernet connection or, on request, with the addition of connection RS485). The new version of our control systems enables extremely easy and rapid passage from a control system to another, even after installation with the single replace-

The EVO-PH control has a coloured, backlit touch screen interface with intuitive viewing of the working status of the machine. It enables precise adjustment of ventilator speed and has a weekly, time schedule for automatic management of the ventilators. It can be controlled by an external switch to activate the booster function, it can automatically adjust the air flow rate if connected to an air quality probe, it can manage any air post treatment accessories, it automatically manages the bypass and prevents heat exchanger freezing by managing the speed of the ventilators or, if installed, an electrical pre-heating resistor (optional accessory outside the machine); it signals to the user the need to replace the filters (the clogging status of the filters is monitored by a pair of different pressure switches, supplied as standard) or an anomaly, indicating the origin. With the addition of optional accessories (COP kit and CAV kit installed on the channel) you can manage the ventilation machine in constant pressure or constant flow rate mode.

The EVOD-PH-IP control has the same characteristics as the EVO-PH version with the addition of Modbus communication protocol which allows full control of the machine by the supervision software of the home automation system. The implemented webserver allows interaction with the machine, even with an internet browser of a device connected (even from remote) to the home automation system in which the machine is inserted.

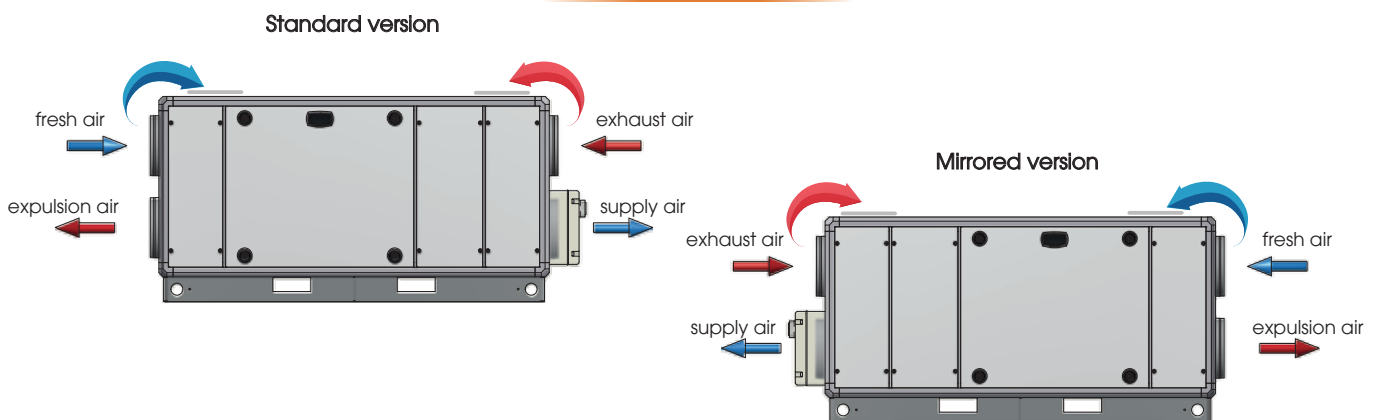
ACCESSORIES

CRHE-V can be equipped with other accessories such as:

- . R.H. of probe, CO₂ or CO₂ / VOC
- . Operating kit pressure or constant flow
- . protection roof for outside instalazione
- . grilles and damper

For a more complete view of the characteristics of the control panels, please read the specific manuals

CRHE-V (vertical) - SIDE VIEW



Counterflow heat exchanger made of aluminum manufactured by RECUTECH
RECUTECH participates in the Eurovent Certification Program

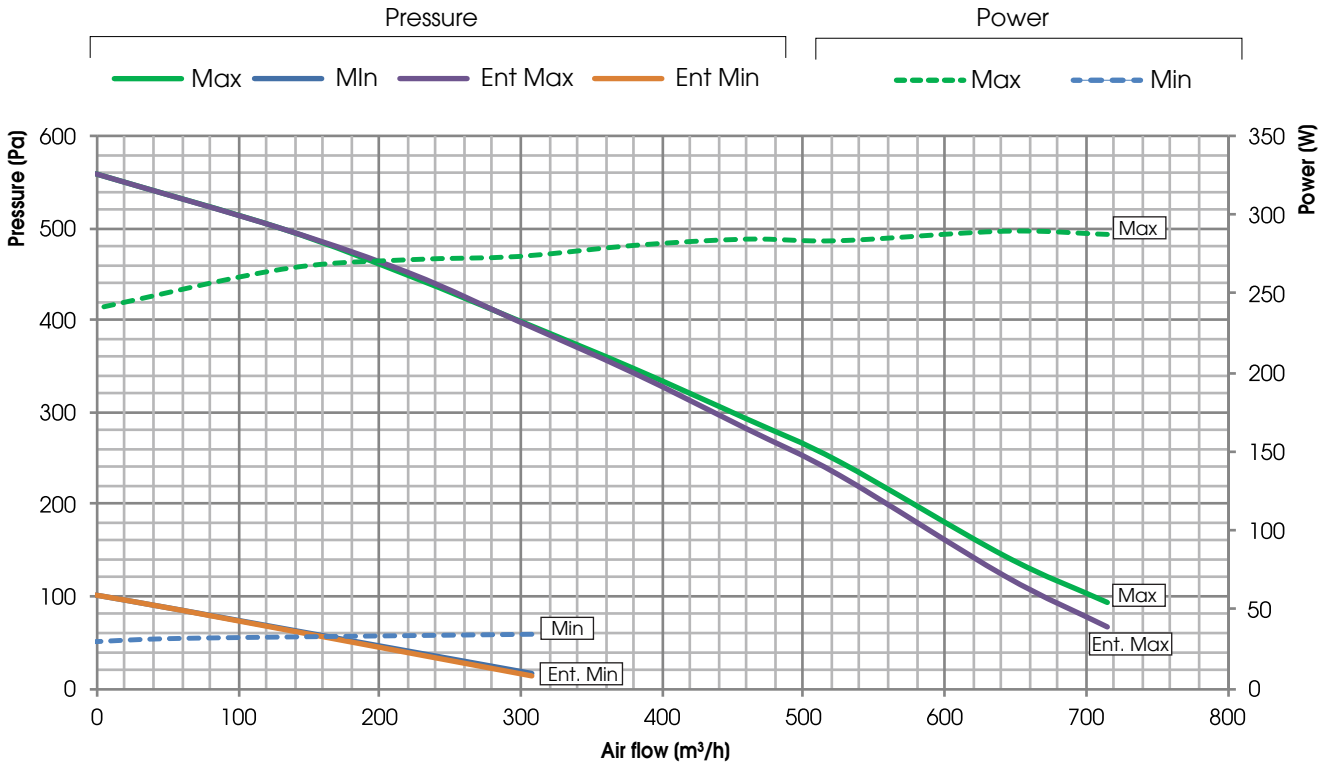
For the enthalpic version: counterflow heat exchanger manufactured by POLYBLOC
POLYBLOC participates in the Eurovent Certification Program



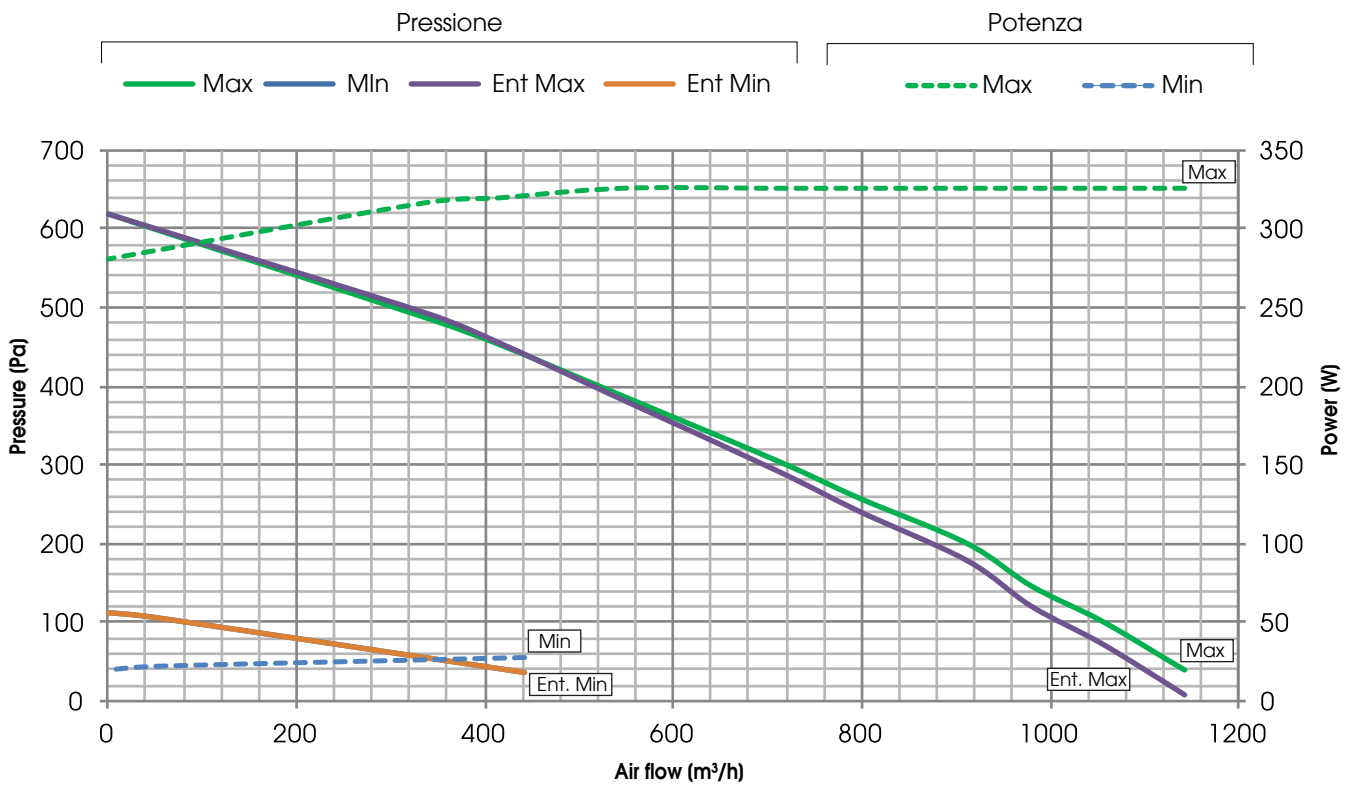
PERFORMANCE (UNI EN 13141-7)

The unit must be ducted properly: Western authorizes the use only according to its performance diagram shown into this catalogue
The declared performances are with CLEAN filters, and guaranteed ONLY with the original filters low pressure drop.

CRHE-V 700 & CRHE-V 700 ENT



CRHE-V 1100 & CRHE-V 1100 ENT

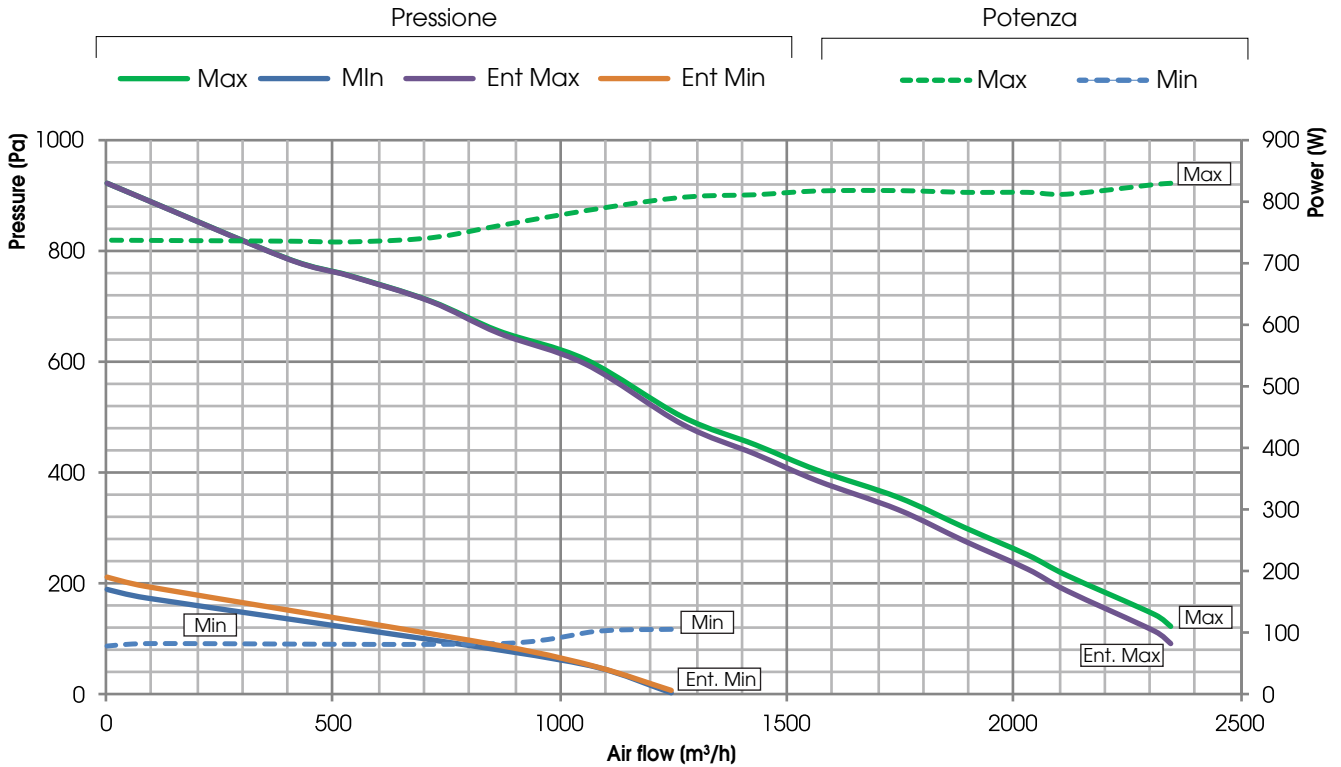




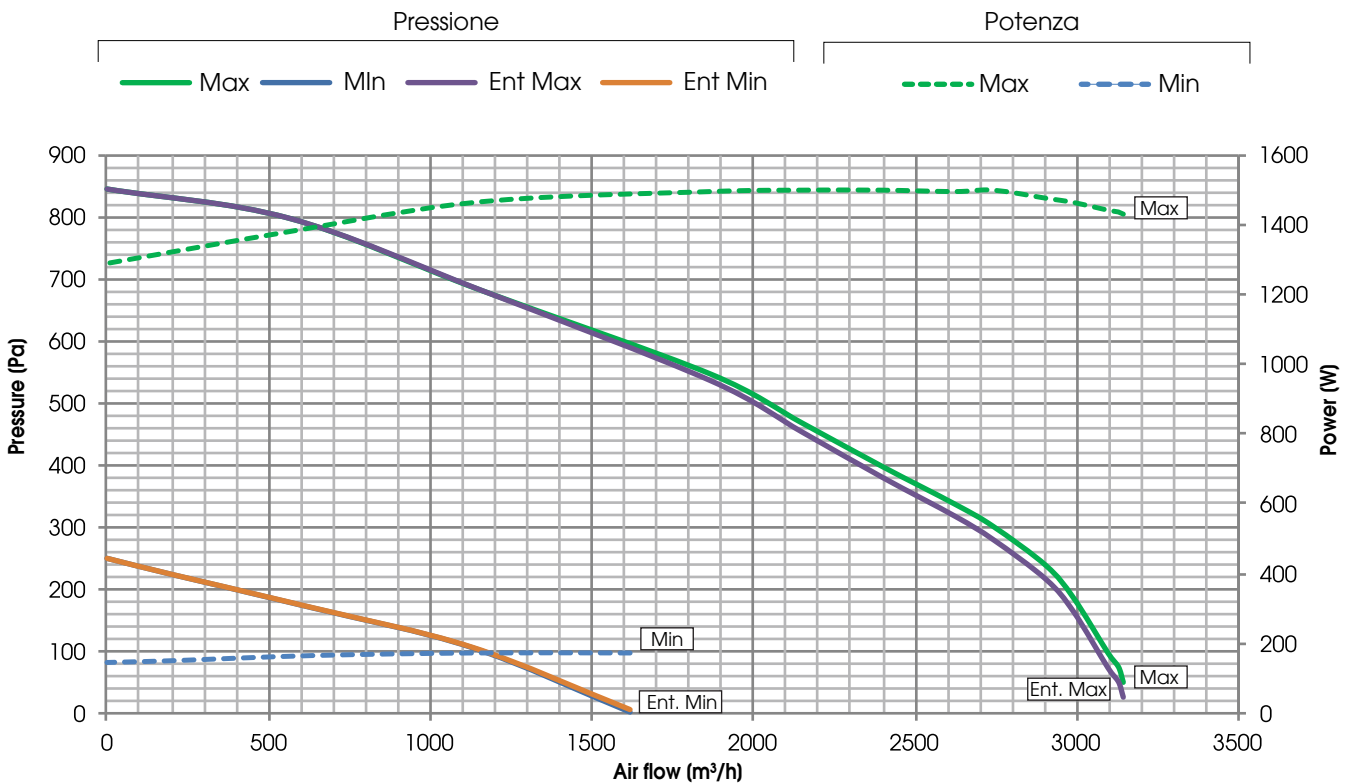
PERFORMANCE (UNI EN 13141-7)

The unit must be ducted properly: Western authorizes the use only according to its performance diagram shown into this catalogue
The declared performances are with CLEAN filters, and guaranteed ONLY with the original filters low pressure drop.

CRHE-V 2500 & CRHE-V 2500 ENT



CRHE-V 3200 & CRHE-V 3200 ENT

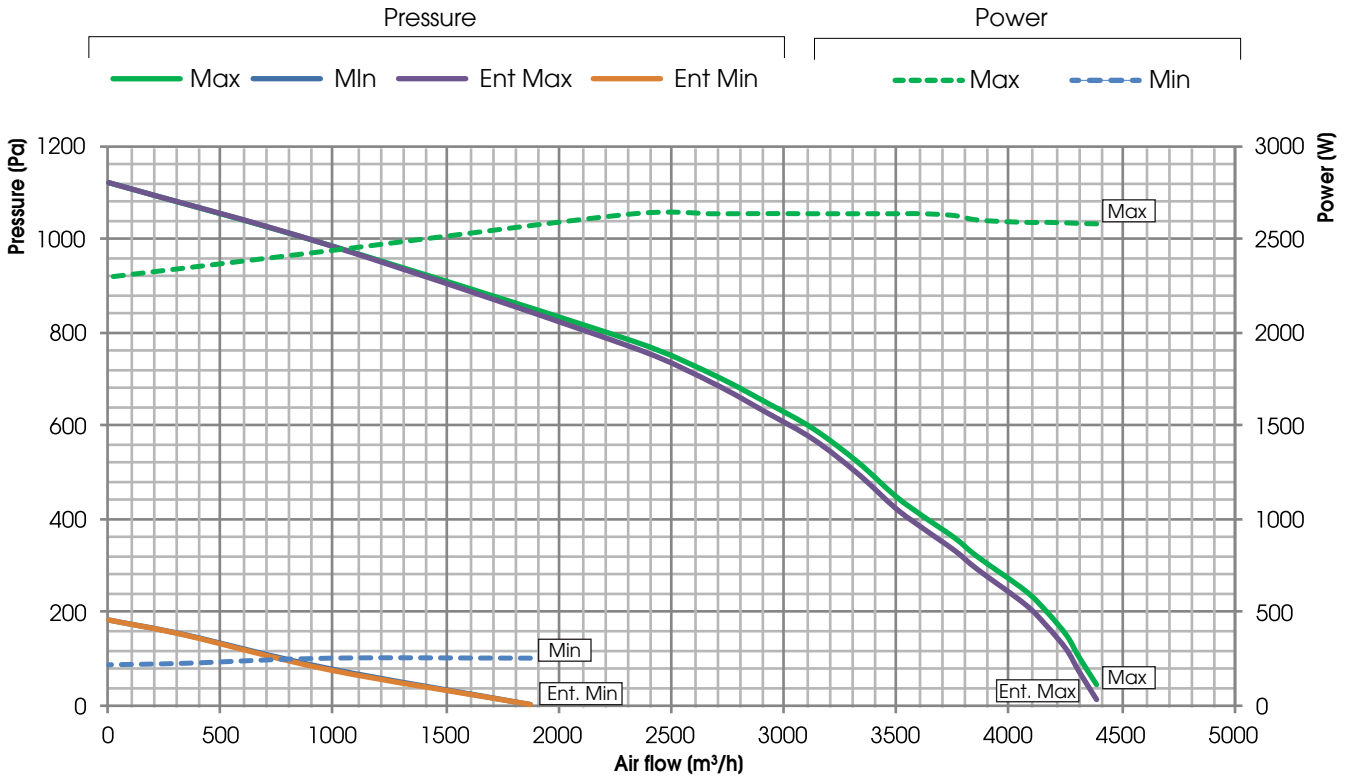




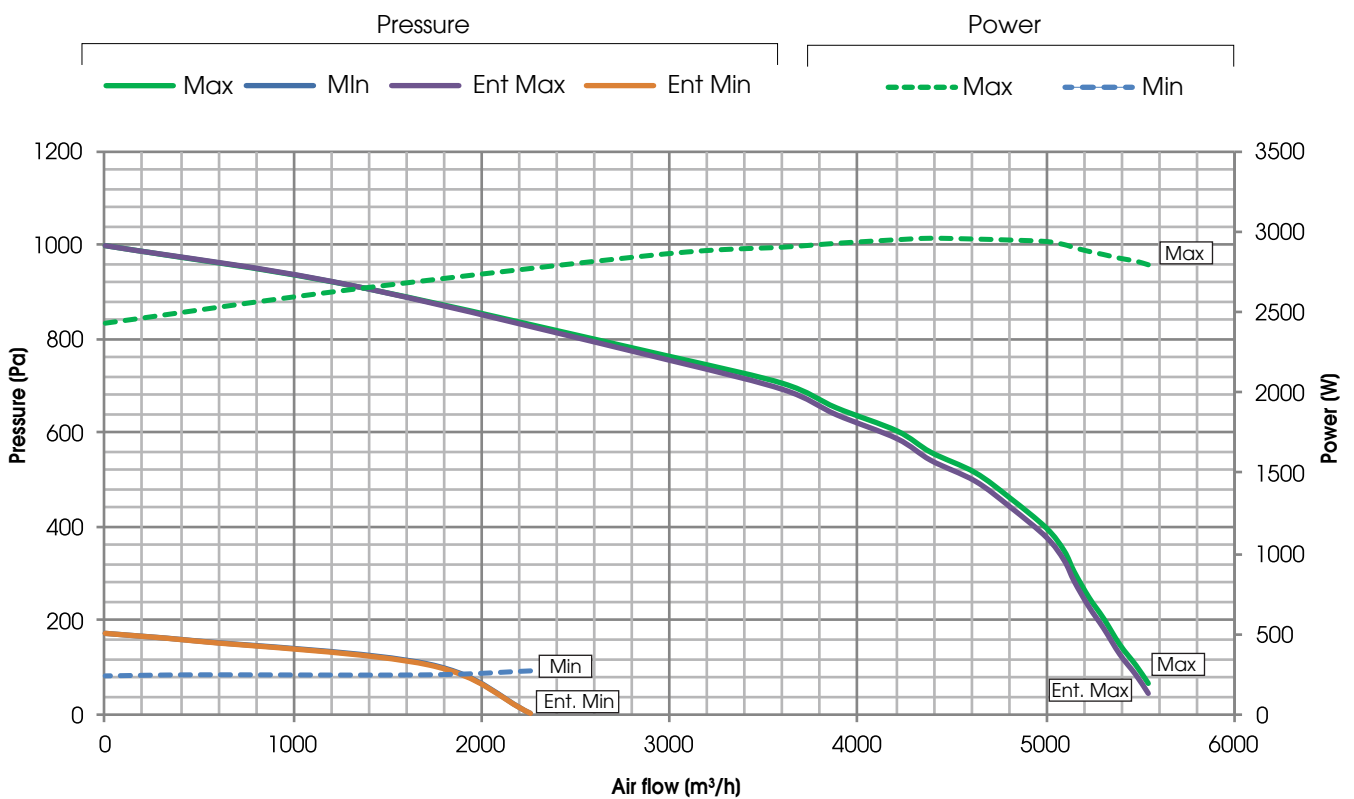
PERFORMANCE (UNI EN 13141-7)

The unit must be ducted properly: Western authorizes the use only according to its performance diagram shown into this catalogue
The declared performances are with CLEAN filters, and guaranteed ONLY with the original filters low pressure drop.

CRHE-V 4500 & CRHE-V 4500 ENT



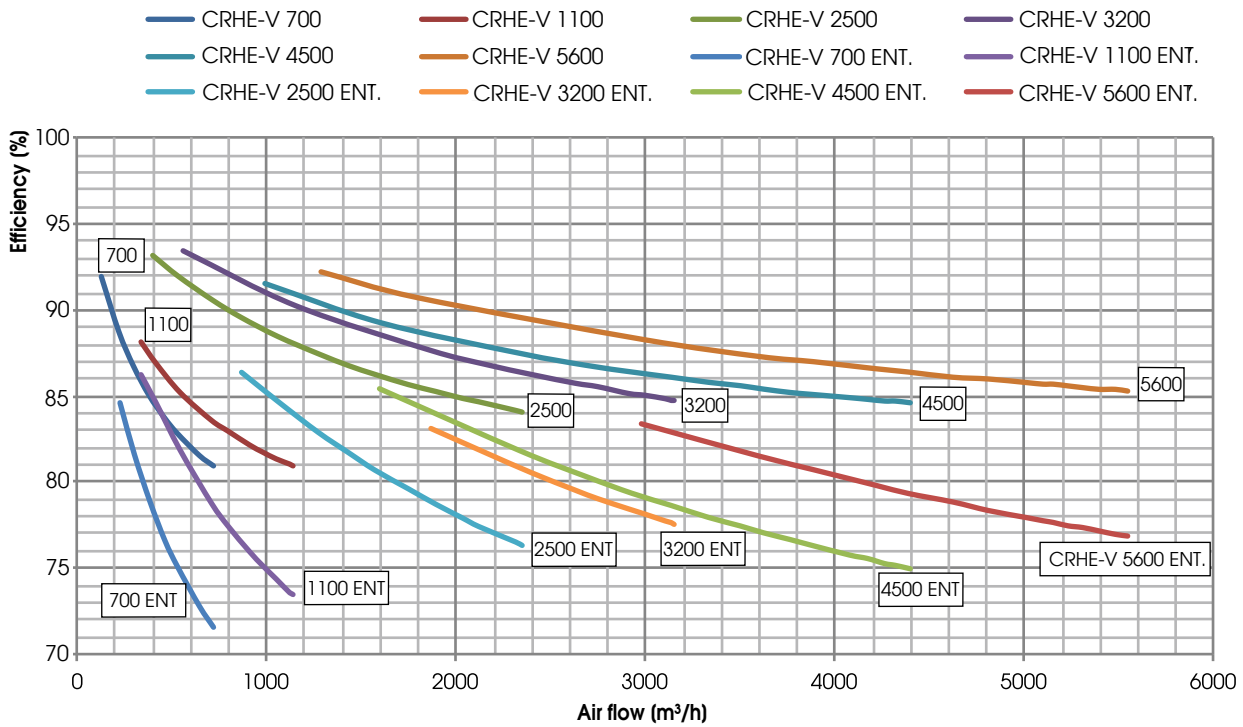
CRHE-V 5600 & CRHE-V 5600 ENT





HEAT RECOVERY PERFORMANCE (sensible efficiency)

Values referred to the following conditions (UNI EN 13141-7): T_{bs} external air 5°C; U.R. external 72%; T_{bs} environment 25°C; U.R. environment 28%



ECODESIGN

MOD.	$\eta_{t,nvru}$ (%)	q_{nom} (m³/s)	$\Delta p_{s,ext}$ (Pa)	P (kW)	SFP _{int} (W/(m³/s))	SFP _{int,lim 2016} (W/(m³/s))	SFP _{int,lim 2018} (W/(m³/s))	FACE VELOCITY (m/s)	$\Delta p_{s,int}$ (Pa)	η_{Fan} (%)	*Internal LEAKAGE (%)	*External LEAKAGE (%)
CRHE-V 700	82,2	0,16	200	0,29	843	1632	1352	1,21	475	56,5	9,5	5,4
CRHE-V 1100	82,2	0,25	200	0,33	460	1618	1338	1,31	278	58,5	7,1	4,6
CRHE-V 2500	84,6	0,60	200	0,81	568	1639	1359	1,52	344	55,4	4,6	4,0
CRHE-V 3200	85,0	0,83	200	1,47	694	1617	1337	1,49	299	48,3	3,5	4,2
CRHE-V 4500	84,9	1,13	250	2,59	1040	1568	1288	2,00	480	51,4	2,8	3,6
CRHE-V 5600	85,6	1,45	250	2,88	782	1540	1260	1,80	370	54,0	2,3	3,0

* Compared to q_{nom}

ECODESIGN CRHE ENTHALPIC

MOD.	$\eta_{t,nvru}$ (%)	q_{nom} (m³/s)	$\Delta p_{s,ext}$ (Pa)	P (kW)	SFP _{int} (W/(m³/s))	SFP _{int,lim 2016} (W/(m³/s))	SFP _{int,lim 2018} (W/(m³/s))	FACE VELOCITY (m/s)	$\Delta p_{s,int}$ (Pa)	η_{Fan} (%)	*Internal LEAKAGE (%)	*External LEAKAGE (%)
CRHE-V 700/ENT	74,4	0,16	200	0,28	872	1400	1120	1,17	488	55,8	9,8	5,5
CRHE-V 1100/ENT	76,5	0,24	200	0,32	544	1449	1169	1,25	321	59,0	7,4	4,8
CRHE-V 2500/ENT	77,6	0,58	200	0,81	691	1430	1150	1,48	399	57,8	4,7	4,1
CRHE-V 3200/ENT	78,3	0,81	200	1,47	754	1417	1137	1,48	336	49,1	3,6	4,2
CRHE-V 4500/ENT	76,7	1,03	350	2,62	1009	1337	1057	1,83	523	56,1	3,0	3,9
CRHE-V 5600/ENT	77,5	1,44	250	2,88	815	1298	1018	1,79	390	54,7	2,3	3,0

* Rispetto a q_{nom}

VALUES ACCORDING UNI EN 1886: 2008

UNIT	CASING STRENGTH	CASING LEAKAGE	FILTER CLASS	THERMAL TRANSMITTANCE	THERMAL BRIDGE
CRHE-V 700/ENT	D1 (M)	L3 (M)	F7 (M)	T4 (M)	TB3 (M)
CRHE-V 1100/ENT	D1 (M)	L3 (M)	F7 (M)	T4 (M)	TB3 (M)
CRHE-V 2500/ENT	D1 (M)	L3 (M)	F7 (M)	T4 (M)	TB3 (M)
CRHE-V 3200/ENT	D1 (M)	L3 (M)	F7 (M)	T4 (M)	TB3 (M)
CRHE-V 4500/ENT	D1 (M)	L3 (M)	F7 (M)	T4 (M)	TB3 (M)
CRHE-V 5600/ENT	D1 (M)	L3 (M)	F7 (M)	T4 (M)	TB3 (M)



TEST LEAKAGE (UNI EN 13141-7)

LEAKAGE	TEST CONDITION	LEAKAGE CLASSIFICATION					
		CRHE-V 700/ENT	CRHE-V 1100/ENT	CRHE-V 2500/ENT	CRHE-V 3200/ENT	CRHE-V 4500/ENT	CRHE-V 5600/ENT
OUTDOOR	Positive pressure 400 Pa	A2	A2	A2	A2	A2	A2
OUTDOOR	Negative pressure 400 Pa	A2	A2	A2	A2	A1	A1
INDOOR	Pressure difference 250 Pa	A3	A3	A2	A2	A2	A2

NOISE LEVEL

L_w Sound level taken in accordance to UNI EN ISO 3747
($\Delta L_f A \geq 7$ dB for each measurement position, class accuracy 2)

CRHE-V 700/ENT	NOISE FROM THE CASE (dB)							
	125 Hz	250 Hz	500 Hz	1000 Hz	2000 Hz	4000 Hz	8000 Hz	L _w dB(A)
	59	59	45	42	38	32	29	52,2
CRHE-V 700/ENT	NOISE IN THE DUCTS (dB)							
	125 Hz	250 Hz	500 Hz	1000 Hz	2000 Hz	4000 Hz	8000 Hz	L _w dB(A)
	65	59	48	49	46	44	42	55,9
CRHE-V 1100/ENT	NOISE FROM THE CASE (dB)							
	125 Hz	250 Hz	500 Hz	1000 Hz	2000 Hz	4000 Hz	8000 Hz	L _w dB(A)
	60	57	44	44	39	27	18	51,4
CRHE-V 1100/ENT	NOISE IN THE DUCTS (dB)							
	125 Hz	250 Hz	500 Hz	1000 Hz	2000 Hz	4000 Hz	8000 Hz	L _w dB(A)
	64	62	48	49	45	35	31	56,2
CRHE-V 2500/ENT	NOISE FROM THE CASE (dB)							
	125 Hz	250 Hz	500 Hz	1000 Hz	2000 Hz	4000 Hz	8000 Hz	L _w dB(A)
	63	64	53	55	49	42	30	59,8
CRHE-V 2500/ENT	NOISE IN THE DUCTS (dB)							
	125 Hz	250 Hz	500 Hz	1000 Hz	2000 Hz	4000 Hz	8000 Hz	L _w dB(A)
	67	69	57	60	55	50	43	64,8
CRHE-V 3200/ENT	NOISE FROM THE CASE (dB)							
	125 Hz	250 Hz	500 Hz	1000 Hz	2000 Hz	4000 Hz	8000 Hz	L _w dB(A)
	64	68	56	58	52	46	36	63,2
CRHE-V 3200/ENT	NOISE IN THE DUCTS (dB)							
	125 Hz	250 Hz	500 Hz	1000 Hz	2000 Hz	4000 Hz	8000 Hz	L _w dB(A)
	68	73	61	63	59	55	49	68,4
CRHE-V 4500/ENT	NOISE FROM THE CASE (dB)							
	125 Hz	250 Hz	500 Hz	1000 Hz	2000 Hz	4000 Hz	8000 Hz	L _w dB(A)
	70	74	61	64	56	49	38	68,4
CRHE-V 4500/ENT	NOISE IN THE DUCTS (dB)							
	125 Hz	250 Hz	500 Hz	1000 Hz	2000 Hz	4000 Hz	8000 Hz	L _w dB(A)
	74	78	66	69	62	57	51	73,4
CRHE-V 5600/ENT	NOISE FROM THE CASE (dB)							
	125 Hz	250 Hz	500 Hz	1000 Hz	2000 Hz	4000 Hz	8000 Hz	L _w dB(A)
	72	81	61	62	54	47	37	73,3
CRHE-V 5600/ENT	NOISE IN THE DUCTS (dB)							
	125 Hz	250 Hz	500 Hz	1000 Hz	2000 Hz	4000 Hz	8000 Hz	L _w dB(A)
	76	86	66	67	61	56	50	77,9

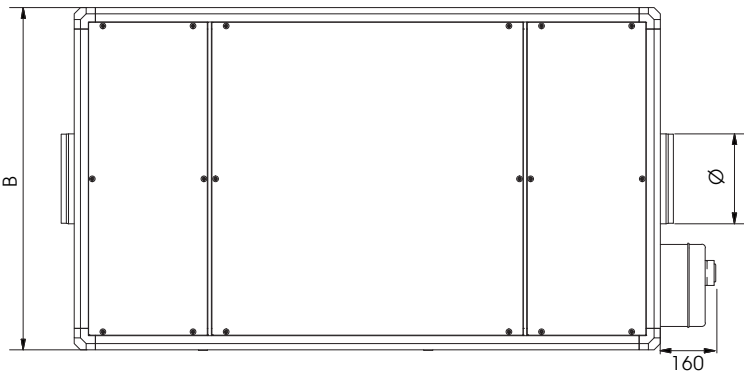
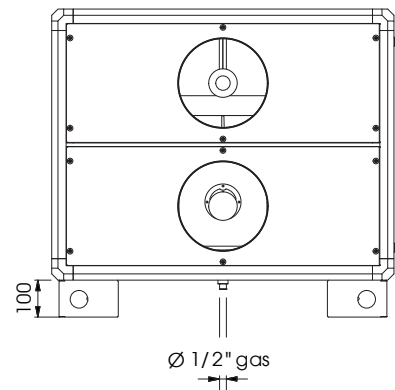
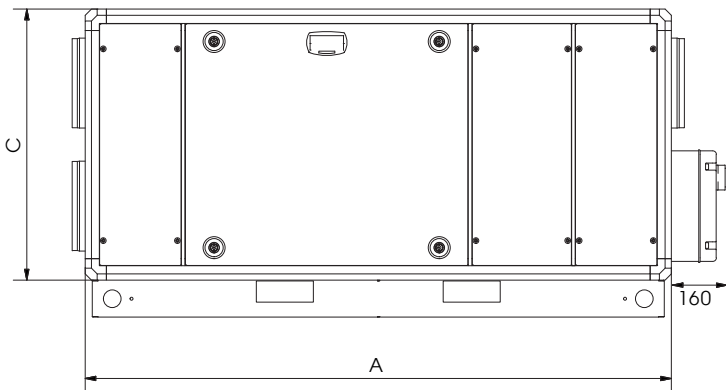


ELECTRICAL DATA

MATCHING	FANS				UNIT CRHE-V		
	Power (W)	Supply	Current max.(A)	Insulation class	Supply	Current max.(A)	Insulation class
CRHE-V 700/ENT	2 x 145	230V 50/60 Hz 1F	2 x 1,20	IP54 CLASS B	230V 50 Hz 1F	2,5	IP 20
CRHE-V 1100/ENT	2 x 170	230V 50/60 Hz 1F	2 x 1,40	IP54 CLASS B	230V 50 Hz 1F	2,9	IP 20
CRHE-V 2500/ENT	2 x 448	230V 50/60 Hz 1F	2 x 2,80	IP54 CLASS B	230V 50 Hz 1F	5,7	IP 20
CRHE-V 3200/ENT	2 x 715	230V 50/60 Hz 1F	2 x 3,10	IP54 CLASS B	230V 50 Hz 1F	6,3	IP 20
CRHE-V 4500/ENT	2 x 1270	230V 50/60 Hz 1F	2 x 5,60	IP54 CLASS B	230V 50 Hz 1F	11,3	IP 20
CRHE-V 5600/ENT	2 x 1400	230V 50/60 Hz 1F	2 x 6,00	IP54 CLASS B	230V 50 Hz 1F	12,1	IP 20

DIMENSIONS (mm) WEIGHT (kg)

UNIT	Dimensions (mm)					Weight (kg)
	A	B	C	Ø		
CRHE-V 700/ENT	1475	760	660	200	104	
CRHE-V 1100/ENT	1645	960	760	250	140	
CRHE-V 2500/ENT	2150	1060	1180	355	268	
CRHE-V 3200/ENT	2305	1460	1180	450	352	
CRHE-V 4500/ENT	2465	1360	1320	500	406	
CRHE-V 5600/ENT	2545	1910	1320	560	674	





INSTALLATION CRHE-V

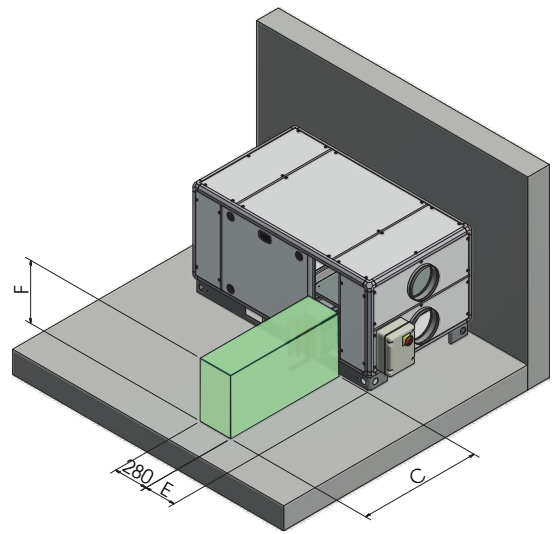
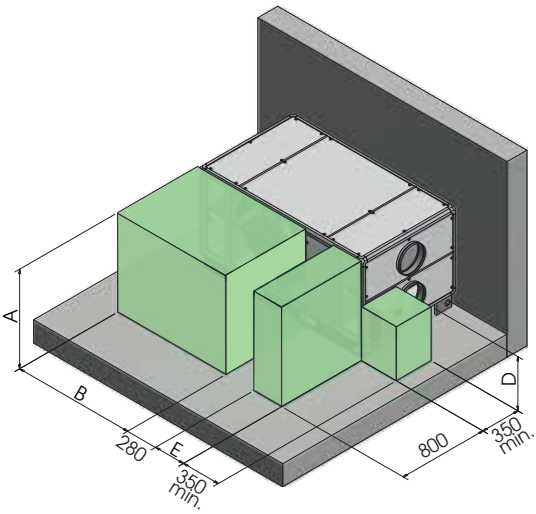
FLOOR INSTALLATION

Minimum required space for maintenance (mm)

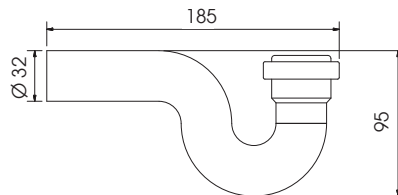
UNIT	Dimensions (mm)			
	A	B	D	E
CRHE-V 700/ENT	760	985	420	240
CRHE-V 1100/ENT	860	1125	470	270
CRHE-V 2500/ENT	1280	1550	680	350
CRHE-V 3200/ENT	1280	1625	680	430
CRHE-V 4500/ENT	1420	1785	750	430
CRHE-V 5600/ENT	1420	1865	750	430

UNIT	Dimensions (mm)		
	C	E	F
CRHE-V 700/ENT	800	240	460
CRHE-V 1100/ENT	850	270	510
CRHE-V 2500/ENT	950	350	720
CRHE-V 3200/ENT	1320	430	720
CRHE-V 4500/ENT	1320	430	790
CRHE-V 5600/ENT	1830	430	790

maintenance and replacement of water coil or electric heater



STANDARD SIPHON (mm)

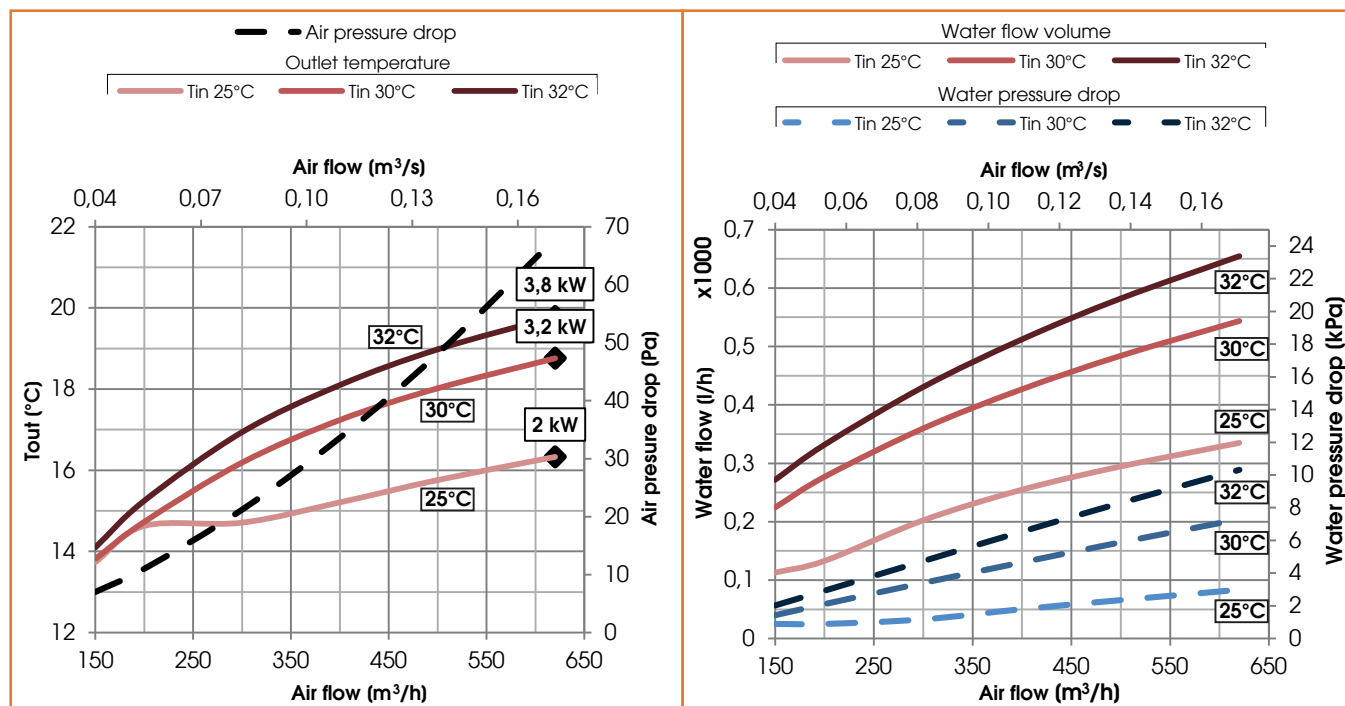




The way to read the graphs is specified within the accessories technolisto.

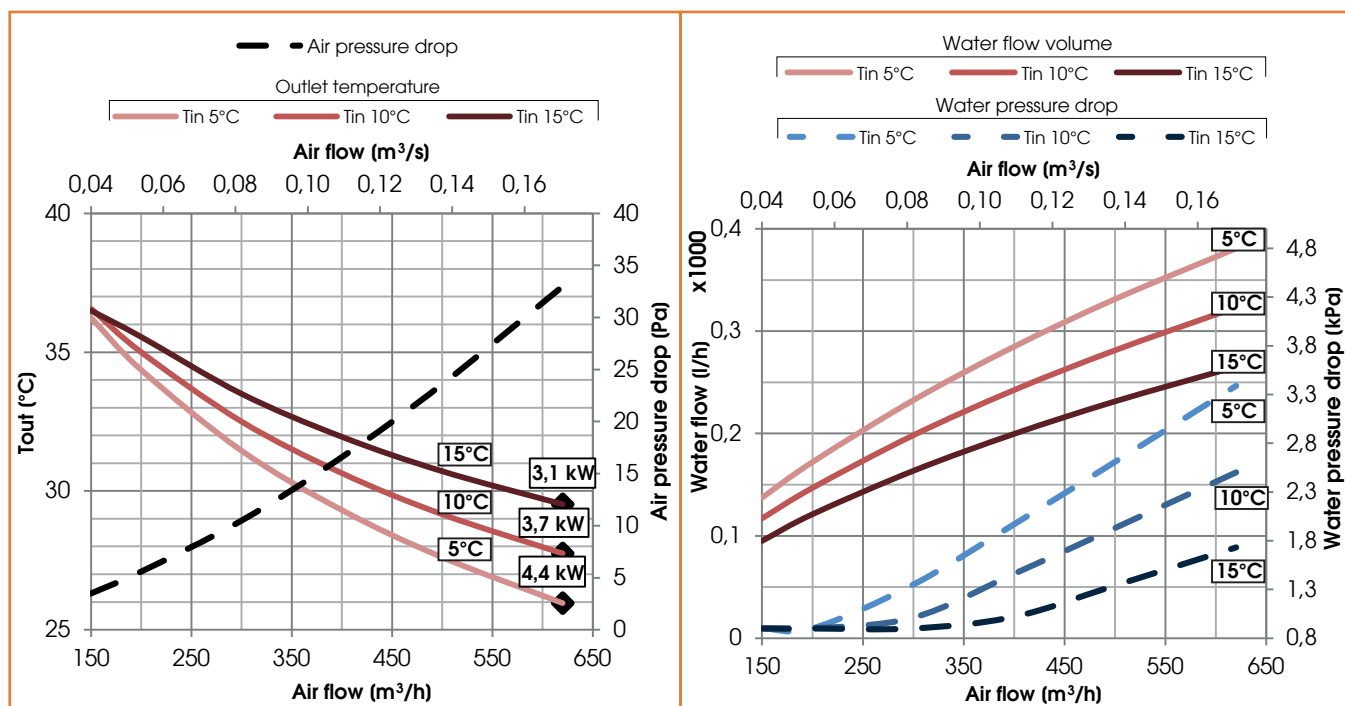
COILS CRHE-V 700/ENT Cooling water coil (7°C/12°C)

Ø WATER (”gas)	N. ROWS	FIN PITCH (mm)	INT.VOL. (dm³)	MATERIALS		
				TUBES	FINS	FRAME
1/2”	4	2,5	2	Cu	Al	Fe Zn



Heating water coil (45°C/35°C)

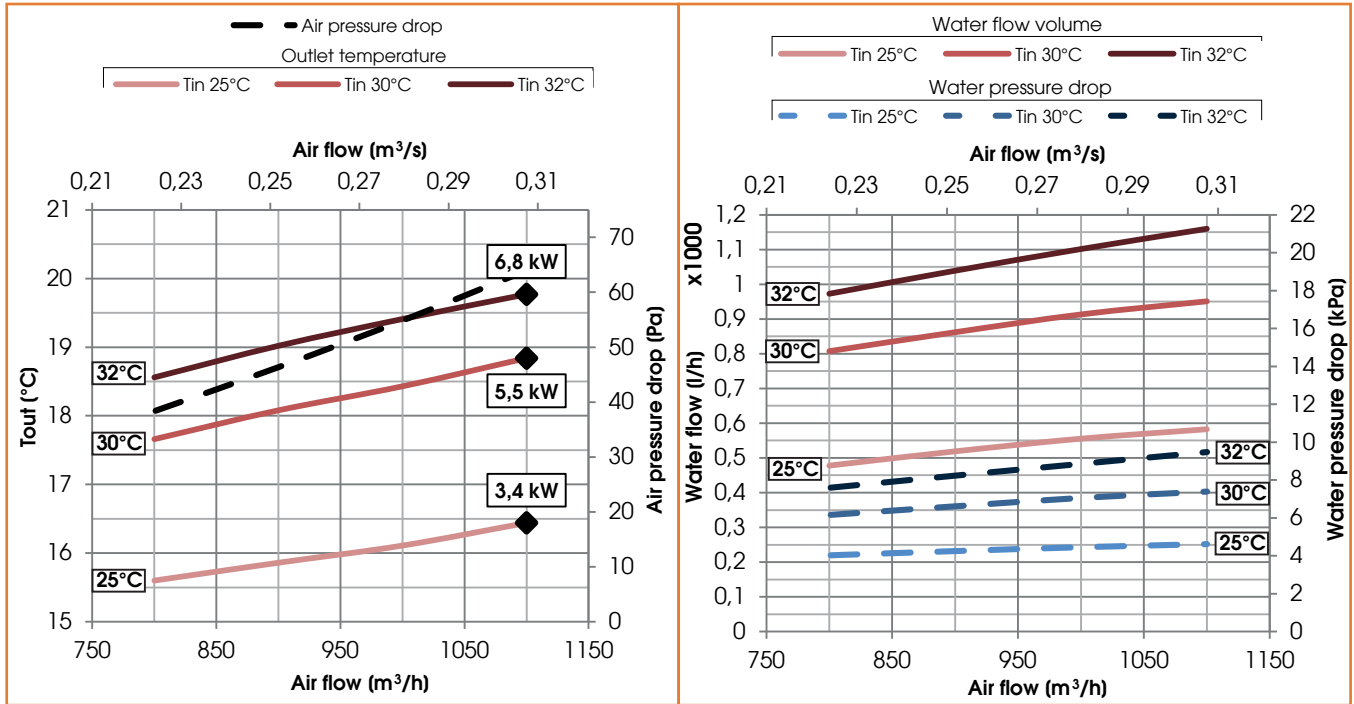
Ø WATER (”gas)	N. ROWS	FIN PITCH (mm)	INT.VOL. (dm³)	MATERIALS		
				TUBES	FINS	FRAME
1/2”	4	2,5	2	Cu	Al	Fe Zn





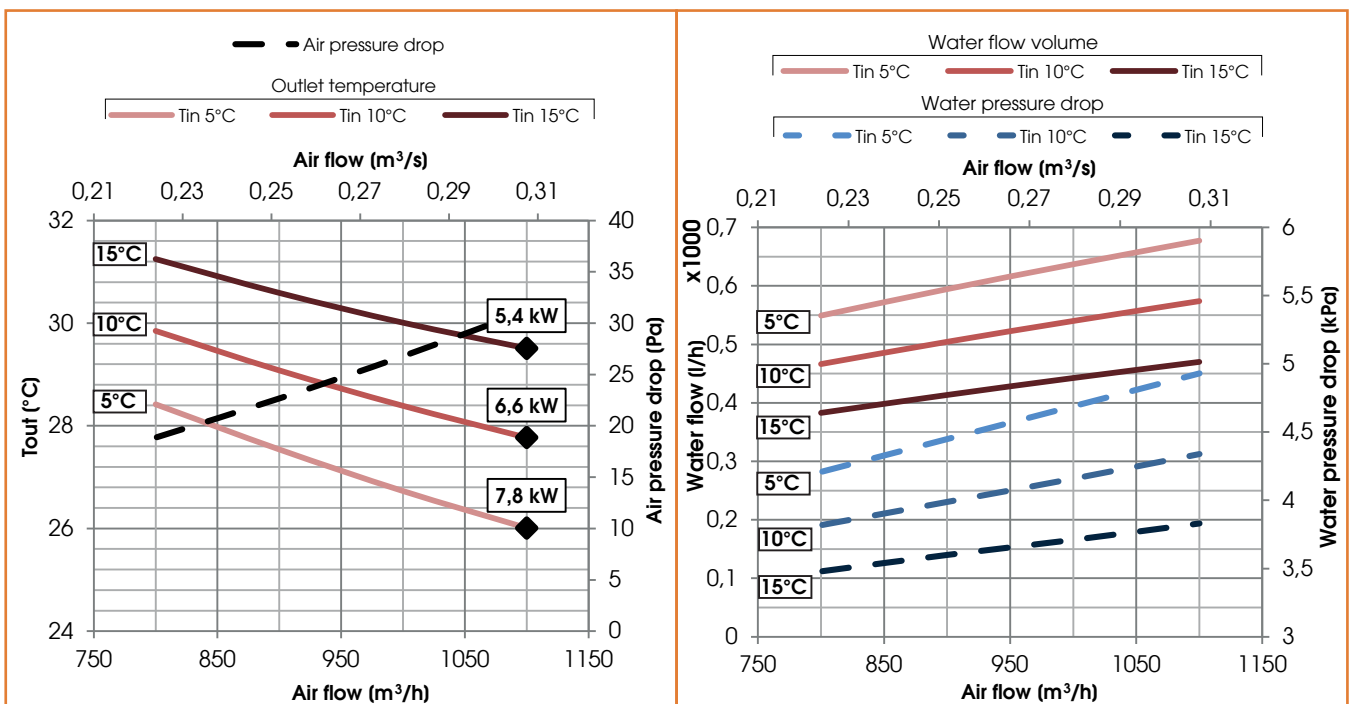
COILS CRHE-V 1100/ENT
Cooling water coil (7°C/12°C)

Ø WATER ("gas)	N. ROWS	FIN PITCH (mm)	INT.VOL. (dm³)	MATERIALS		
				TUBES	FINS	FRAME
3/4"	4	2,5	3	Cu	Al	Fe Zn



Heating water coil (45°C/35°C)

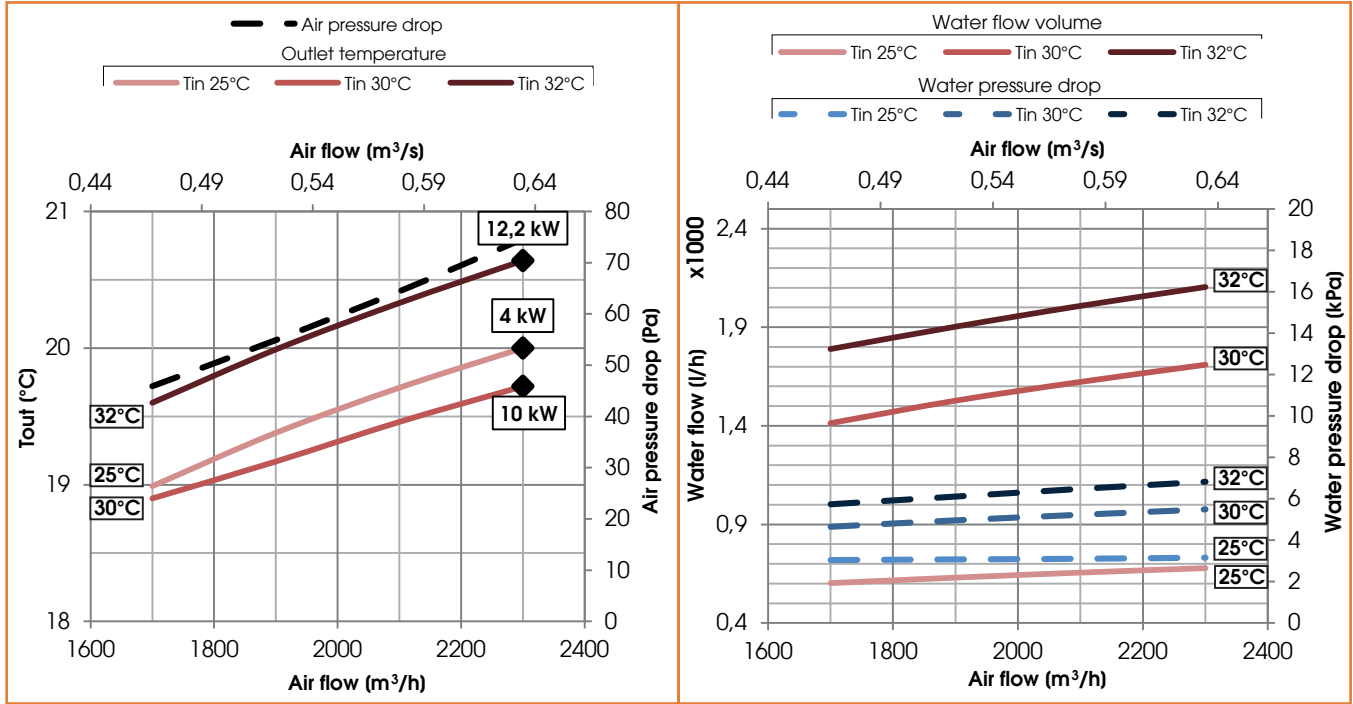
Ø WATER ("gas)	N. ROWS	FIN PITCH (mm)	INT.VOL. (dm³)	MATERIALS		
				TUBES	FINS	FRAME
3/4"	4	2,5	3	Cu	Al	Fe Zn





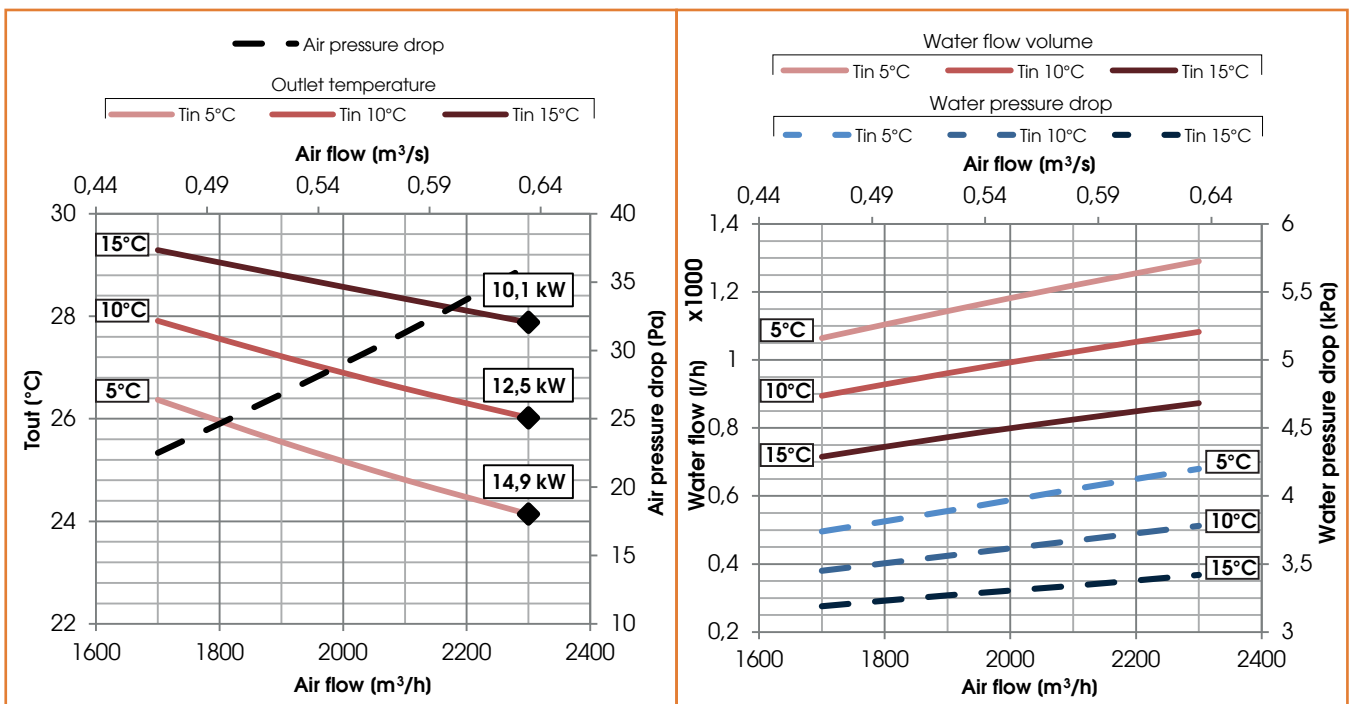
COILS CRHE-V 2500/ENT Cooling water coil (7°C/12°C)

Ø WATER ("gas)	N. ROWS	FIN PITCH (mm)	INT.VOL. (dm³)	MATERIALS		
				TUBES	FINS	FRAME
3/4"	4	2,5	6	Cu	Al	Fe Zn



Heating water coil (45°C/35°C)

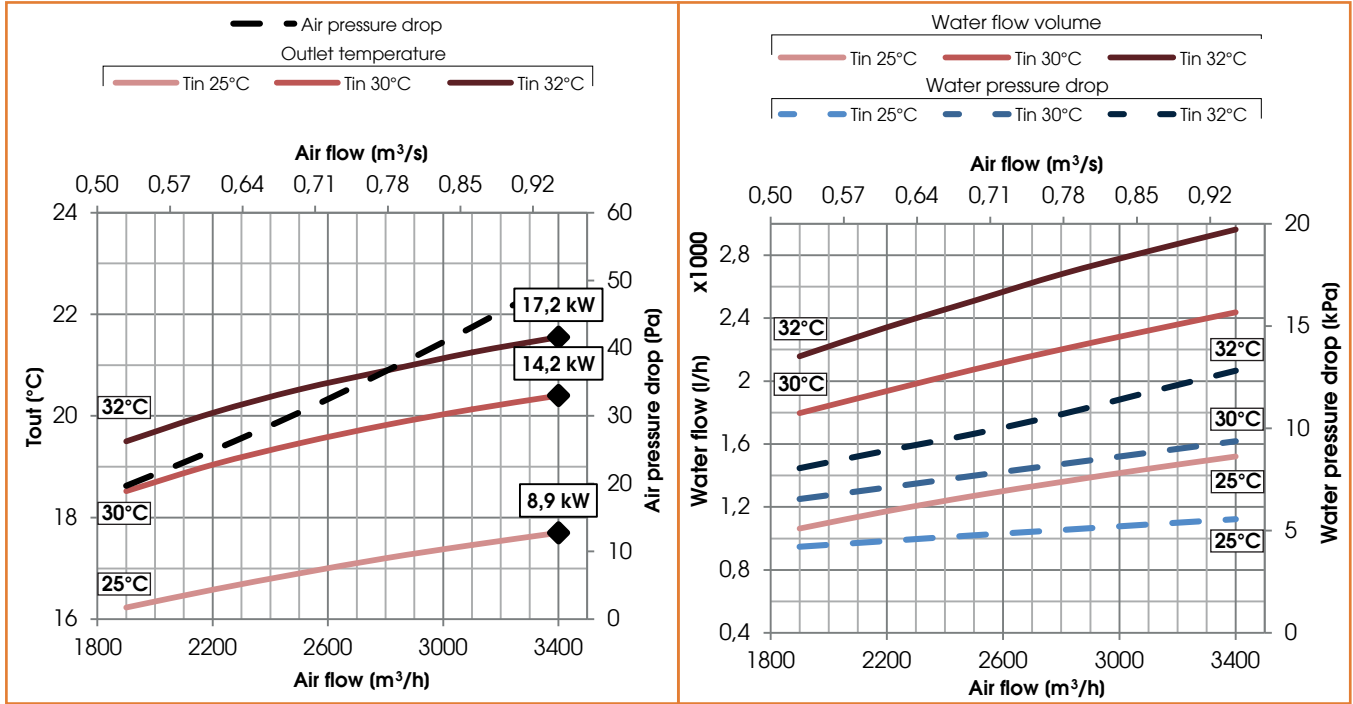
Ø WATER ("gas)	N. ROWS	FIN PITCH (mm)	INT.VOL. (dm³)	MATERIALS		
				TUBES	FINS	FRAME
3/4"	4	2,5	6	Cu	Al	Fe Zn





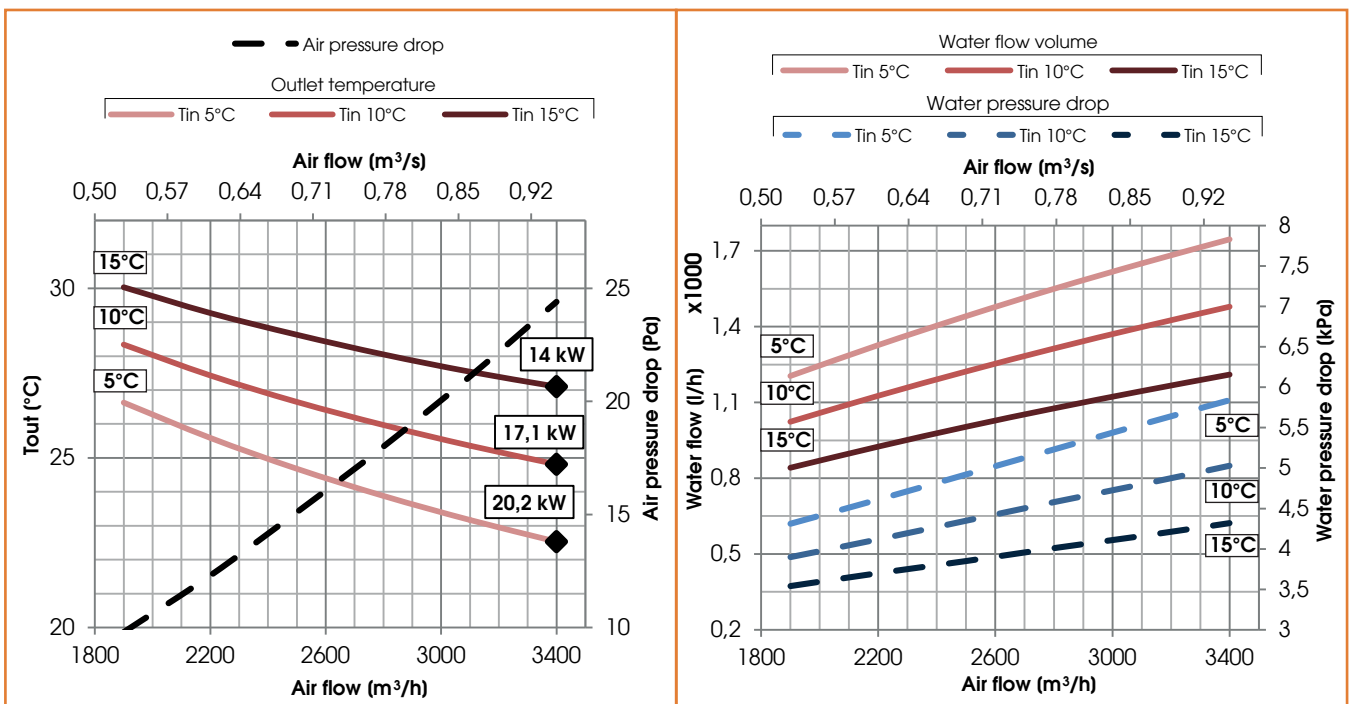
COILS CRHE-V 3200/ENT
Cooling water coil (7°C/12°C)

Ø WATER (”gas)	N. ROWS	FIN PITCH (mm)	INT.VOL. (dm³)	MATERIALS		
				TUBES	FINS	FRAME
1”	3	2,5	7	Cu	Al	Fe Zn



Heating water coil (45°C/35°C)

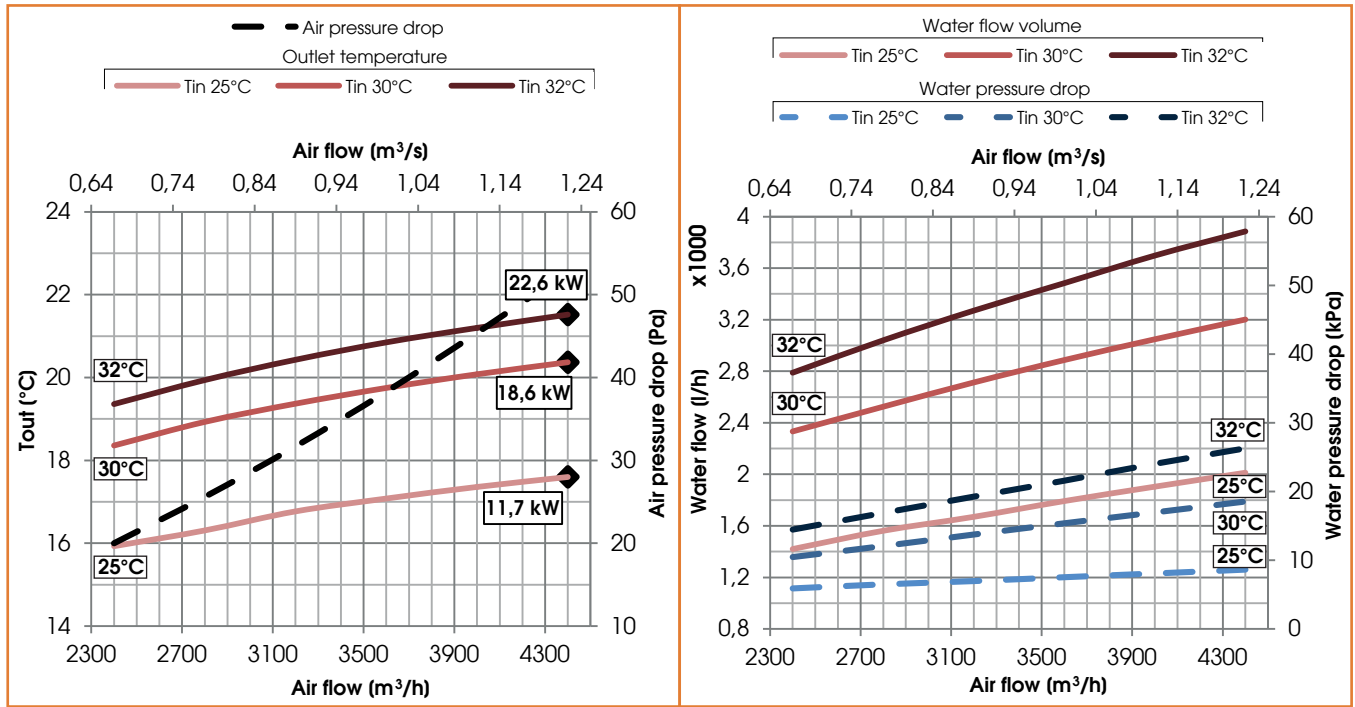
Ø WATER (”gas)	N. ROWS	FIN PITCH (mm)	INT.VOL. (dm³)	MATERIALS		
				TUBES	FINS	FRAME
1”	3	2,5	7	Cu	Al	Fe Zn





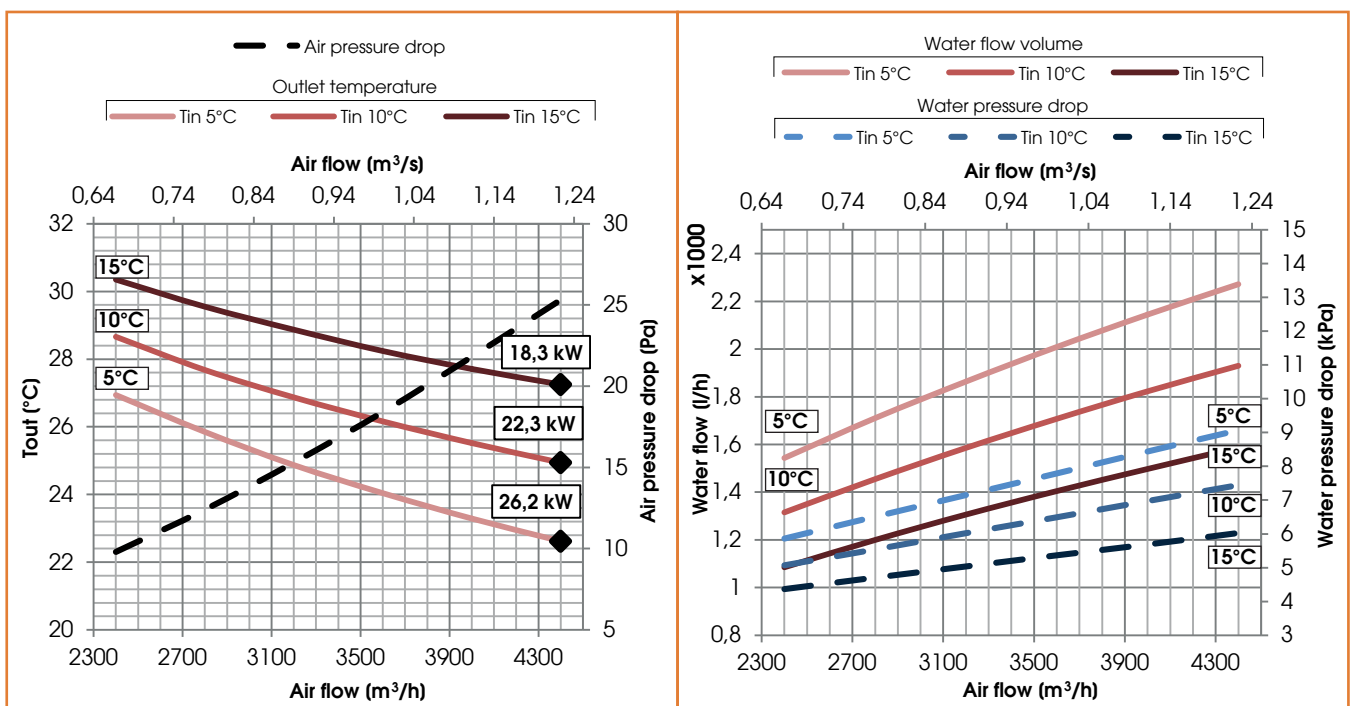
COILS CRHE-V 4500/ENT Cooling water coil (7°C/12°C)

Ø WATER ("gas)	N. ROWS	FIN PITCH (mm)	INT.VOL. (dm³)	MATERIALS		
				TUBES	FINS	FRAME
1"	3	2,5	8	Cu	Al	Fe Zn



Heating water coil (45°C/35°C)

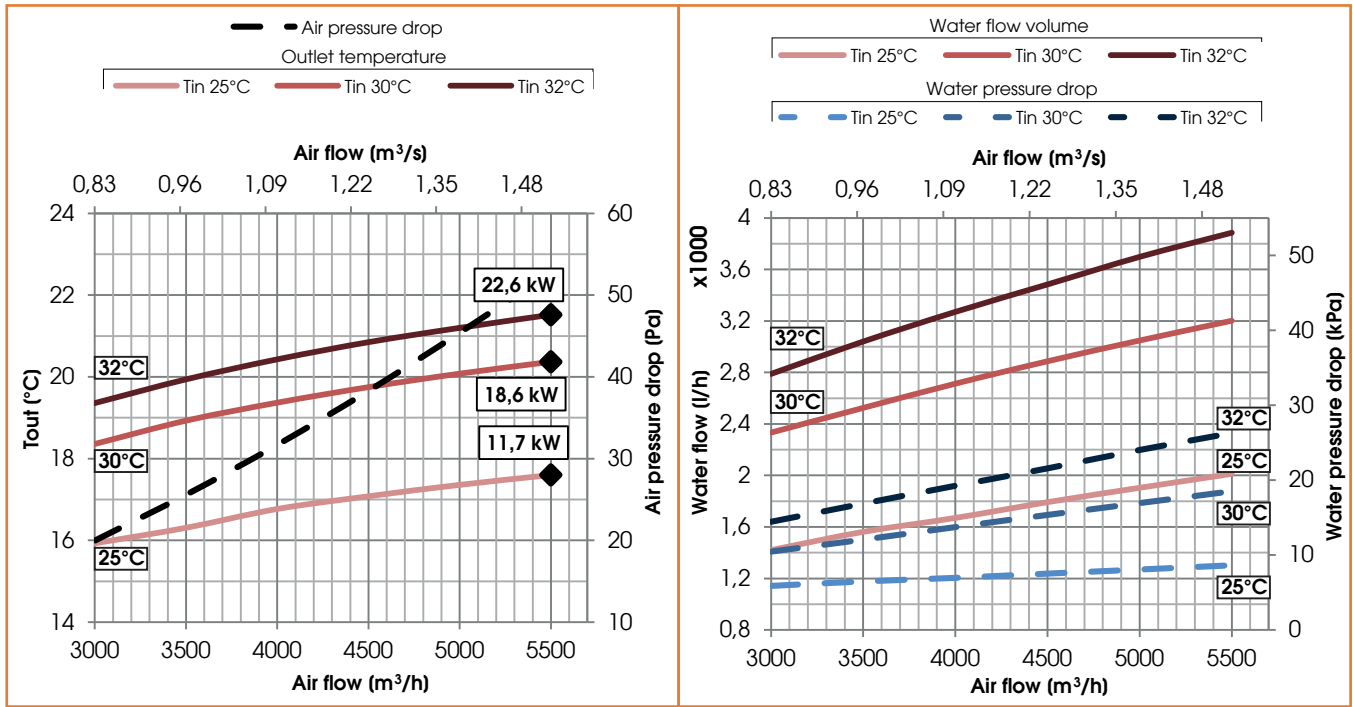
Ø WATER ("gas)	N. ROWS	FIN PITCH (mm)	INT.VOL. (dm³)	MATERIALS		
				TUBES	FINS	FRAME
1"	3	2,5	8	Cu	Al	Fe Zn





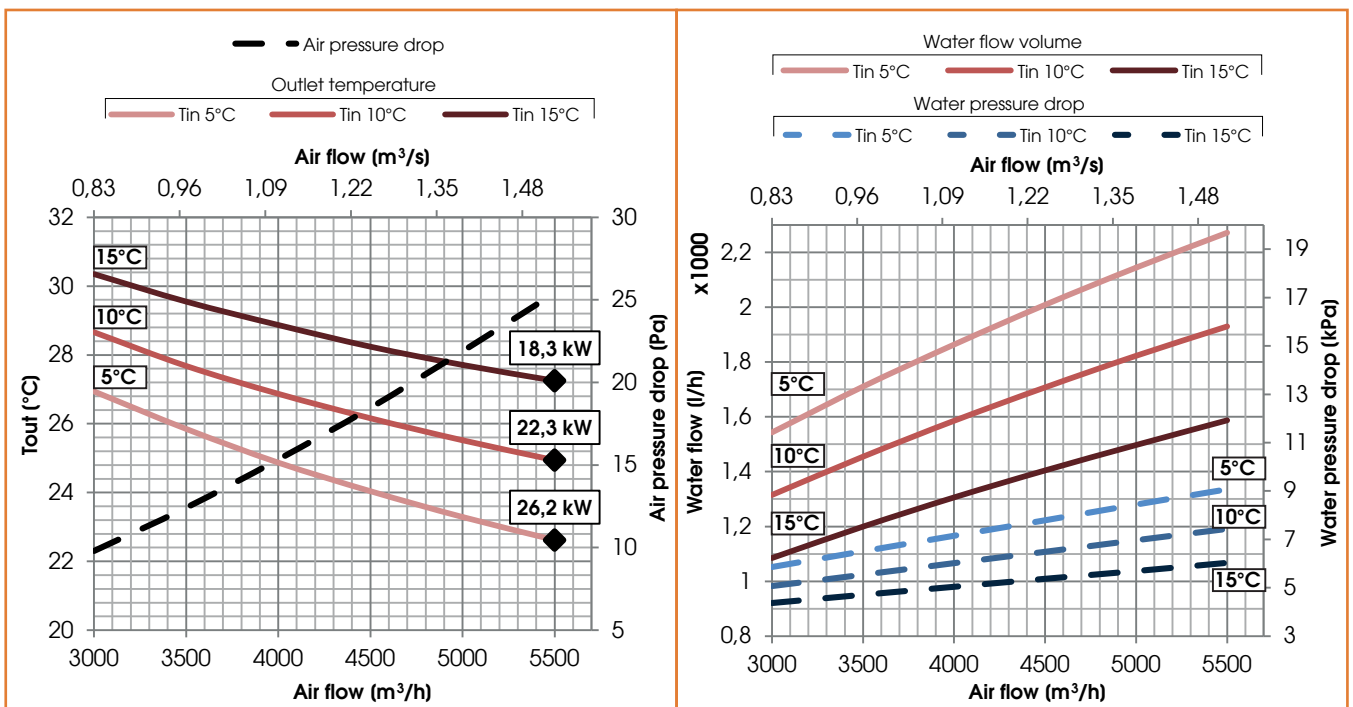
COILS CRHE-V 5600/ENT
Cooling water coil (7°C/12°C)

Ø WATER ("gas)	N. ROWS	FIN PITCH (mm)	INT.VOL. (dm³)	MATERIALS		
				TUBES	FINS	FRAME
1"1/4	3	2,5	12	Cu	Al	Fe Zn



Heating water coil (45°C/35°C)

Ø WATER ("gas)	N. ROWS	FIN PITCH (mm)	INT.VOL. (dm³)	MATERIALS		
				TUBES	FINS	FRAME
1"1/4	3	2,5	12	Cu	Al	Fe Zn





DX coil CRHE-V 700/ENT

DIRECT EXPANSION COIL (R410A) TECHNICAL DATA						
Air flow (m³/h)	Tin (C°)	R.H in (%)	Power (kW)	Tout (°C)	R.H: out (%)	Air pressure drop (Pa)
700	28	68	4,8	18	91	60
Ø Connection (mm)	Fin pitch (mm)	N. Rows	Int.Vol. (dm³)	T evap (°C)	T cond (°C)	
22-12	4,0	4	2	5	50	

DX coil CRHE-V 1100/ENT

DIRECT EXPANSION COIL (R410A) TECHNICAL DATA						
Air flow (m³/h)	Tin (C°)	R.H in (%)	Power (kW)	Tout (°C)	R.H: out (%)	Air pressure drop (Pa)
1100	28	28	8	18	92	47
Ø Connection (mm)	Fin pitch (mm)	N. Rows	Int.Vol. (dm³)	T evap (°C)	T cond (°C)	
22-12	4,0	4	3	5	50	

DX coil CRHE-V 2500/ENT

DIRECT EXPANSION COIL (R410A) TECHNICAL DATA						
Air flow (m³/h)	Tin (C°)	R.H in (%)	Power (kW)	Tout (°C)	R.H: out (%)	Air pressure drop (Pa)
2500	28	68	17	19	94	70
Ø Connection (mm)	Fin pitch (mm)	N. Rows	Int.Vol. (dm³)	T evap (°C)	T cond (°C)	
28-28	2,5	3	5	5	50	

DX coil CRHE-V 3200/ENT

DIRECT EXPANSION COIL (R410A) TECHNICAL DATA						
Air flow (m³/h)	Tin (C°)	R.H in (%)	Power (kW)	Tout (°C)	R.H: out (%)	Air pressure drop (Pa)
3200	28	68	22	19	94	60
Ø Connection (mm)	Fin pitch (mm)	N. Rows	Int.Vol. (dm³)	T evap (°C)	T cond (°C)	
28-22	2,5	3	6	5	50	

DX coil CRHE-V 4500/ENT

DIRECT EXPANSION COIL (R410A) TECHNICAL DATA						
Air flow (m³/h)	Tin (C°)	R.H in (%)	Power (kW)	Tout (°C)	R.H: out (%)	Air pressure drop (Pa)
4500	28	68	35	18	92	101
Ø Connection (mm)	Fin pitch (mm)	N. Rows	Int.Vol. (dm³)	T evap (°C)	T cond (°C)	
42-28	2,5	4	10	5	50	

DX coil CRHE-V 5600/ENT

DIRECT EXPANSION COIL (R410A) TECHNICAL DATA						
Air flow (m³/h)	Tin (C°)	R.H in (%)	Power (kW)	Tout (°C)	R.H: out (%)	Air pressure drop (Pa)
5600	29	70	44	18,5	95	51
Ø Connection (mm)	Fin pitch (mm)	N. Rows	Int.Vol. (dm³)	T evap (°C)	T cond (°C)	
42-35	2,5	3	11	5	50	

Electrical heater

PRE-POST ELECTRICAL HEATER TECHNICAL DATA				
Unit	Power supply	Power (kW)	Current (A)	N. stages
CRHE-V 700/ENT	230V, 50Hz,1F	2	8,7	1
CRHE-V 1100/ENT	230V, 50Hz,1F	3	13,0	1
CRHE-V 2500/ENT	230V, 50Hz,1F	6	26,0	1
CRHE-V 3200/ENT	230V, 50Hz,1F	8	34,7	1
CRHE-V 3200/ENT	400V, 50Hz,3F	8	11,5	1
CRHE-V 4500/ENT	400V, 50Hz,1F	12	17,3	1
CRHE-V 5600/ENT	400V, 50Hz,3F	16	23,0	1

N.B. - for other batteries PRE or POST treatment see the Techno-list of ACCESSORIES

A	Manufacturer's name	CRHE 700EC BP EVO-PH SV UVNR / UVB	CRHE 1100EC BP EVO-PH SV UVNR / UVB	CRHE 2500EC BP EVO-PH SV UVNR / UVB	CRHE 3200EC BP EVO-PH SV UVNR / UVB
B	Manufacturer's model identifier				
C	Declared typology				
D	Type of drive installed	Variable speed drive	Variable speed drive	Variable speed drive	Variable speed drive
E	Type of HRS	other	other	other	other
F	Thermal efficiency of heat recovery (%)	82,2	82,2	84,6	85,0
G	Nominal NRUV flow rate (m³/s)	0,161	0,254	0,597	0,825
H	Effective electric power input (kW)	0,29	0,33	0,82	1,47
I	SFPint (W/(m³/s))	842	461	569	695
J	Face velocity at design flow rate (m/s)	1,2	1,3	1,5	1,5
K	Nominal external pressure (Pa)	200	200	200	200
L	Internal pressure drop of ventilation components (Pa)	475	278	344	299
M	Optional: internal pressure drop of non-ventilation components	-	-	-	-
N	Static efficiency of fans used in accordance with Regulation (EU) No 327/2011 (%)	56,5	58,5	55,4	48,3
	Declared maximum external leakage rate of the casing of ventilation units (%)	5,4	4,6	4,0	4,2
O	Declared maximum internal leakage rate of bidirectional ventilation units or carry over (for regenerative heat exchangers only) (%)	9,5	7,1	4,6	3,5
P	Energy performance, preferably energy classification, of the filters (declared information about the calculated annual energy consumption)	F7/M5	F7/M5	F7/M5	F7/M5
Q	Position and description of visual filter warning for RVUs intended for use with filters, including text pointing out the importance of regular filter changes for performance and energy efficiency of the unit	Filter warning is signaled on the display of the control system: the flashing writing "DirtyFilters" will appear. "To preserve the energy efficiency of the NRUV, it's recommended to replace the filters when signaled." Positioned near the filters inspection			
R	Casing sound power level (LWA) (dB)	52	51	60	63
S					

A	Manufacturer's name	CRHE 4500EC BP EVO-PH SV	CRHE 5600EC BP EVO-PH SV	CRHE 700EC BP EVO-PH SV - ENTHALPIC VERSION-	CRHE 1100EC BP EVO-PH SV - ENTHALPIC VERSION-
B	Manufacturer's model identifier	UVNR / UVB	UVNR / UVB	UVNR / UVB	UVNR / UVB
C	Declared typology	Variable speed drive	Variable speed drive	Variable speed drive	Variable speed drive
D	Type of drive installed	other	other	other	other
E	Type of HRS				
F	Thermal efficiency of heat recovery (%)	84,9	85,6	74,4	76,5
G	Nominal NRVU flow rate (m³/s)	1,129	1,453	0,16	0,24
H	Effective electric power input (kW)	2,59	2,88	0,28	0,32
I	SFPint (W)/(m³/s)	1040	781	872	544
J	Face velocity at design flow rate (m/s)	2,0	1,8	1,17	1,25
K	Nominal external pressure (Pa)	250	250	200	200
L	Internal pressure drop of ventilation components (Pa)	480	370	488	321
M	Optional: internal pressure drop of non-ventilation components	-	-	-	-
N	Static efficiency of fans used in accordance with Regulation (EU) No 327/2011 (%)	51,4	54,0	55,8	59,0
O	Declared maximum external leakage rate of the casing of ventilation units (%)	3,6	3,0	5,5	4,8
P	Declared maximum internal leakage rate of bidirectional ventilation units or carry over (for regenerative heat exchangers only) (%)	2,8	2,3	9,8	7,4
Q	Energy performance, preferably energy classification, of the filters (declared information about the calculated annual energy consumption)	F7/M5	F7/M5	F7/M5	F7/M5
R	Position and description of visual filter warning for RVUs intended for use with filters, including text pointing out the importance of regular filter changes for performance and energy efficiency of the unit	Filter warning is signaled on the display of the control system: the flashing writing "DirtyFilters" will appear. "To preserve the energy efficiency of the NRVU, it's recommended to replace the filters when signaled." Positioned near the filters inspection			
S	Casing sound power level (LWA) (dB)	68	73	52	51

A	Manufacturer's name	CRHE 2500EC BP EVO-PH SV - ENTHALPIC VERSION- UVNR / UVB	CRHE 3200EC BP EVO-PH SV - ENTHALPIC VERSION- UVNR / UVB	CRHE 4500EC BP EVO-PH SV - ENTHALPIC VERSION- UVNR / UVB	CRHE 5600EC BP EVO-PH SV - ENTHALPIC VERSION- UVNR / UVB
B	Manufacturer's model identifier				
C	Declared typology	Variable speed drive other	Variable speed drive other	Variable speed drive other	Variable speed drive other
D	Type of drive installed				
E					
F	Thermal efficiency of heat recovery (%)	77,6	78,3	76,7	77,5
G	Nominal NRVU flow rate (m³/s)	0,58	0,81	1,03	1,44
H	Effective electric power input (kW)	0,81	1,47	2,62	2,88
I	SFPint (W/(m³/s))	691	754	1009	815
J	Face velocity at design flow rate (m/s)	1,4	1,4	1,2	1,8
K	Nominal external pressure (Pa)	200	200	350	250
L	Internal pressure drop of ventilation components (Pa)	399	336	523	390
M	Optional: internal pressure drop of non-ventilation components	-	-	-	-
N	Static efficiency of fans used in accordance with Regulation (EU) No 327/2011 (%)	57,8	49,1	56,1	54,7
	Declared maximum external leakage rate of the casing of ventilation units (%)	4,1	4,2	3,9	3,0
O	Declared maximum internal leakage rate of bidirectional ventilation units or carry over (for regenerative heat exchangers only) (%)	4,7	3,6	3,0	2,3
P	Energy performance, preferably energy classification, of the filters (declared information about the calculated annual energy consumption)	F7/M5	F7/M5	F7/M5	F7/M5
Q	Position and description of visual filter warning for RVUs intended for use with filters, including text pointing out the importance of regular filter changes for performance and energy efficiency of the unit	Filter warning is signaled on the display of the control system: the flashing writing "DirtyFilters" will appear. "To preserve the energy efficiency of the NRVU, it's recommended to replace the filters when signaled." Positioned near the filters inspection			
R	Casing sound power level (LWA) (dB)	60	63	68	73
S					

EHFÁHAGI I I €

WESTERNTM
AIRCONDITIONING