

indoor air quality and energy saving

TECHNICAL DATA



EASY-T 1/2





FAI-EC

Is a Non Residential Ventilation Unit (NRVU)

EQUIPPED

Equipped with medium efficiency counterflow heat exchanger (Eurovent certified) and EC fans.

STRUCTURE

The FAI-EC is made of extruded aluminium profiles and double skin Aluzinc[®] panels, sandwiched on injected polyurethane foam insulation, thickness 25 mm and density 42 Kg/m³. The position of the ducting connections, made with circular spigots, are easily configurable simply by moving the ducting connection panels. Five sizes are available in horizontal configuration, ceiling installation (only for size 1 and 2) and floor installation, or vertical configuration (floor installation), all equipped with automatic total bypass and medium efficiency heat exchanger.

Post heating devices (electric or water) and electrical pre heater device are integrated into the unit, post cooling/heating water coil and direct expansion coil, are available as additional external module. The filtering sections are: F7 filters for the fresh air flow and M5 filters for the extraction air flow.

CONTROLS

The FAI-EC is supplied with control system and easy connection to the power supply. It's also available the versions with simplified CTR08-PH control, the version with EVO-PH control and the version with EVOD-PH-IP control ready for integration in home automation systems (Modbus protocol with Ethernet connection or, upon request, with the addition of the RS485 connection). The new version of our control systems allows the user to shift from one control system to another very quickly and easily by replacing the remote panel even after the installation.

The CTR08-PH control allows the user to select three levels of fan speed or the possibility to stop them. It automatically manages the By-pass and prevents the heat exchanger freezing by programming the fan speed or, if specifically required, the electric pre-heater resistance (optional item to install inside the unit).

.The control advises the user if filters needs to be replaced (the filter clogging is monitored by a pair of differential pressure sensors) or any other fault.

The EVO-PH control has a colored backlit touch screen interface, it gives an intuitive operating status of the unit and it allows programming the fan speed. This control has a weekly time schedule for automatic unit control, it can be controlled by an external switch to activate the booster and it can automatically adjust the air flow when connected to an air quality sensor. It supports post-air treatment accessories and it advises the user if filters needs to be replaced (the filter clogging is monitored by a pair of differential pressure sensors) or if there is any other fault showing where it comes from.

The EVOD-PH-IP control has the same characteristics of the EVO-PH version with the addition of the Modbus communication protocol and it allows full control of the unit by the Home Automation software system. If the unit is in a Home Automation network, the webserver lets the user interact with it throughout a device connected to an Internet browser.

On request it's also available the version without control system and without electrical cabinet (adjustable pressure switches for filter status and bypass actuator are installed)

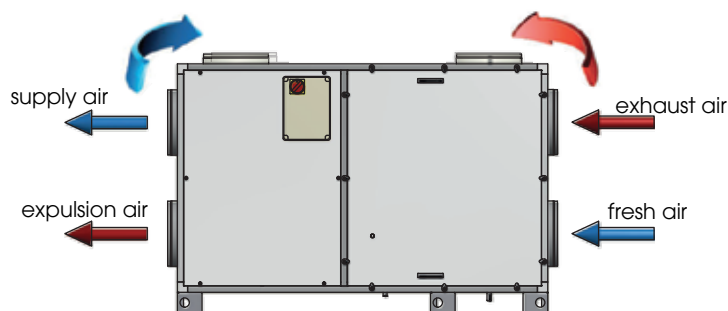
ACCESSORIES

FAI-EC can be equipped with other accessories such as:

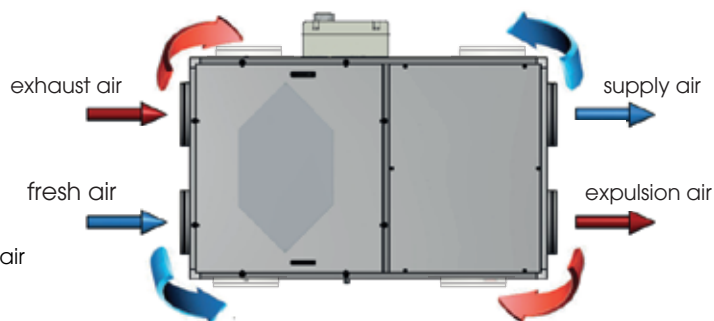
- . R.H. of probe, CO₂ or CO₂ / VOC
- . protection roof for outside instalazione
- . switch speed

For a more complete view of the characteristics of the control panels, please read the specific manuals.

FAI-EC V (vertical) - SIDE VIEW



FAI-EC H (horizontal) - TOP VIEW



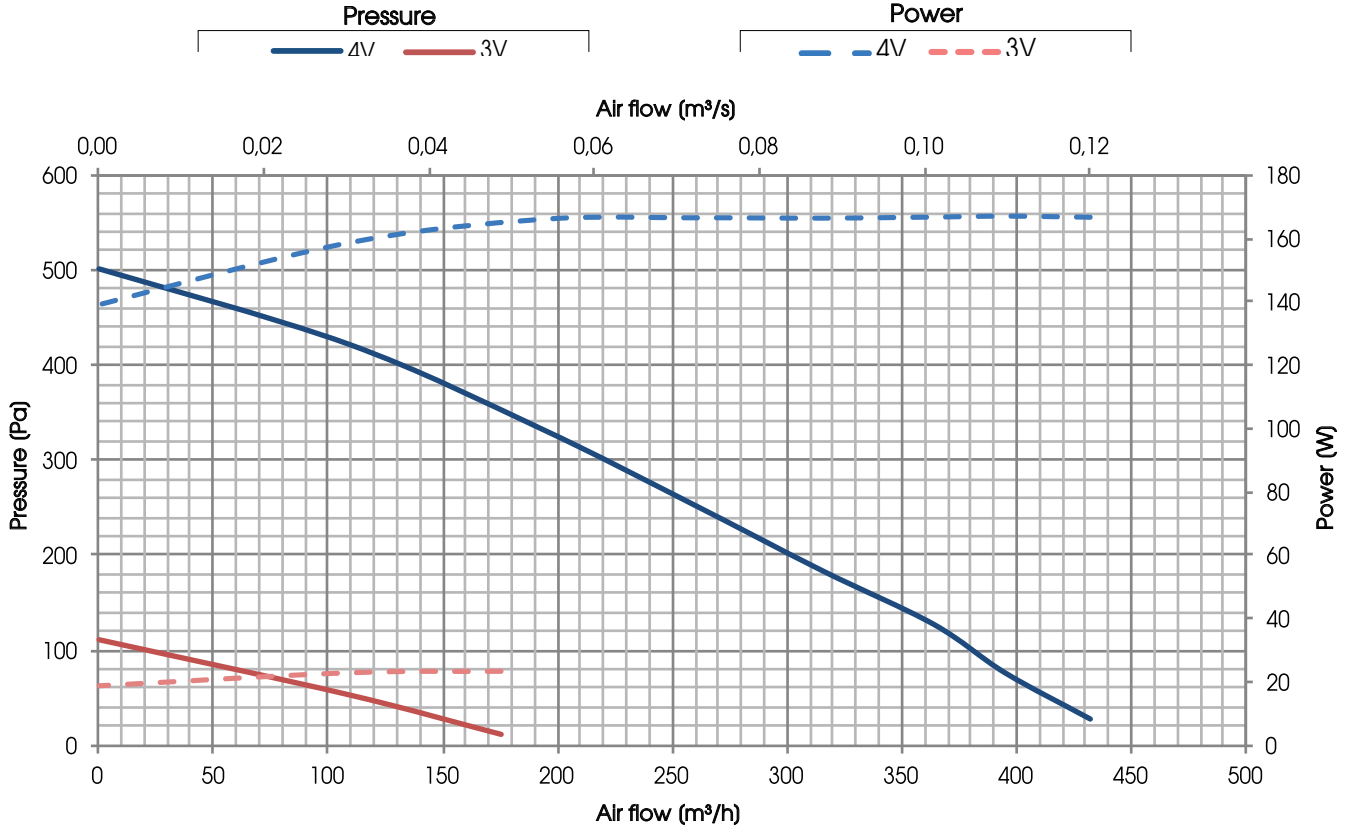
Counterflow heat exchanger made of aluminum manufactured by RECUTECH
RECUTECH participates in the Eurovent Certification Program



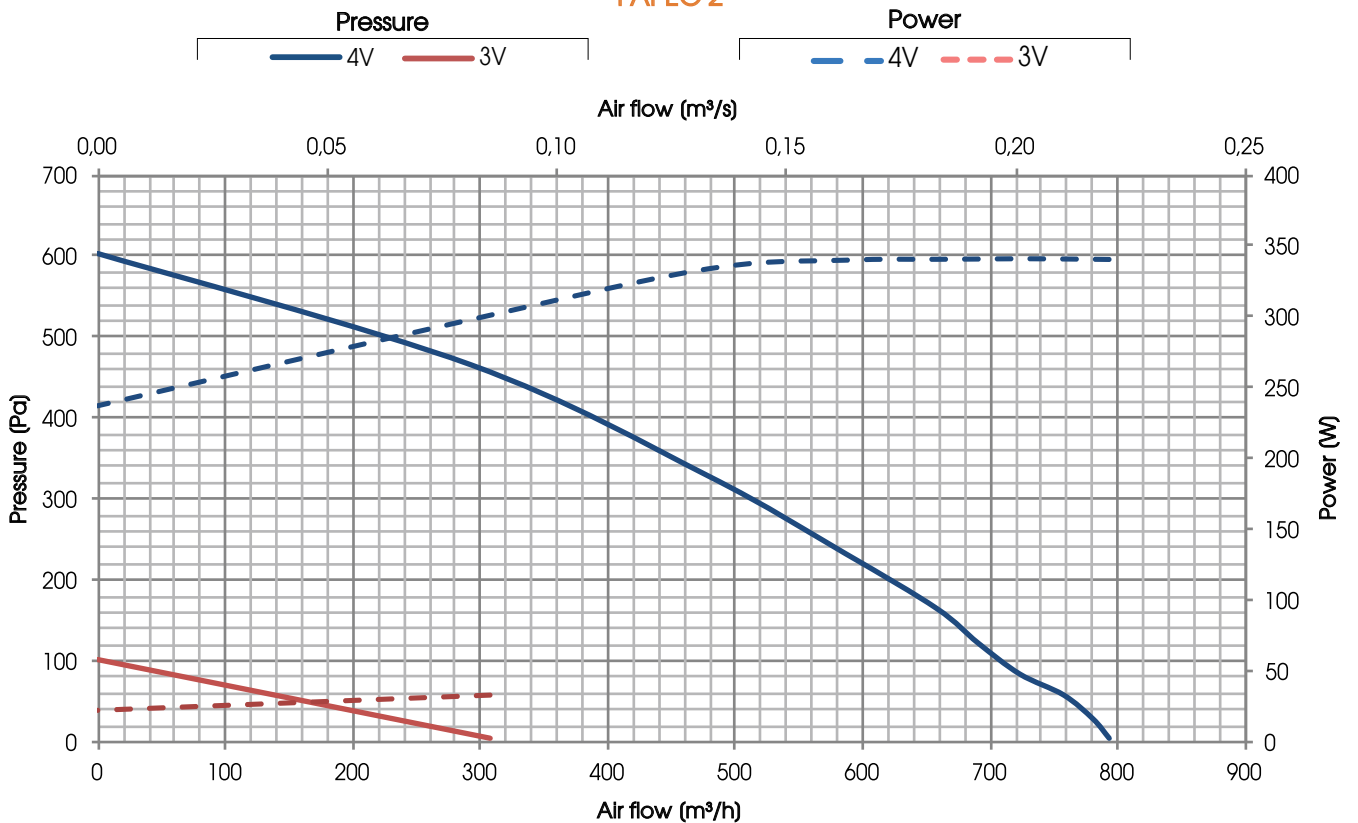
PERFORMANCE (UNI EN 13141-7)

The unit must be ducted properly: Western authorizes the use only according to its performance diagram shown into this catalogue
The declared performances are with CLEAN filters, and guaranteed ONLY with the original filters low pressure drop.

FAI-EC 1



FAI-EC 2

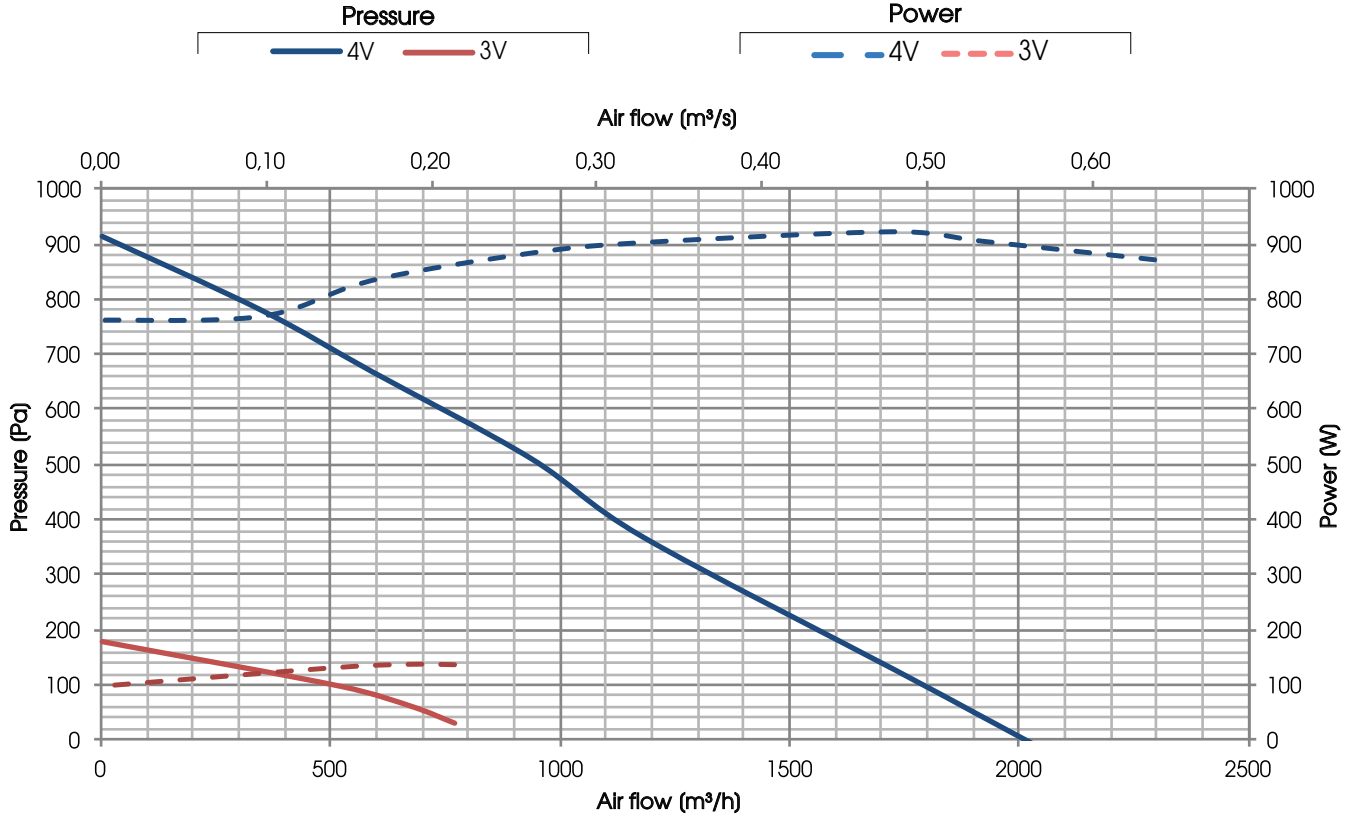




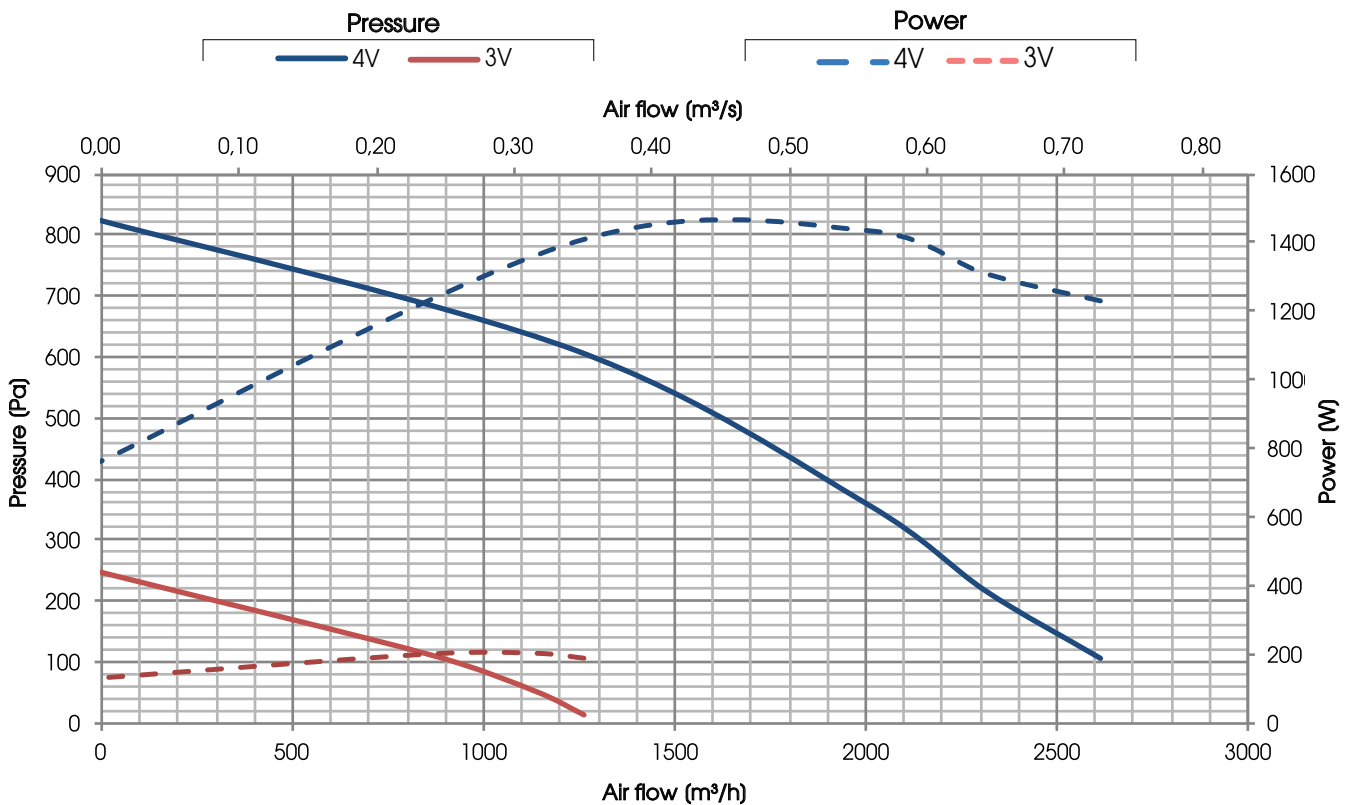
PERFORMANCE (UNI EN 13141-7)

The unit must be ducted properly: Western authorizes the use only according to its performance diagram shown into this catalogue
The declared performances are with CLEAN filters, and guaranteed ONLY with the original filters low pressure drop.

FAI-EC 3



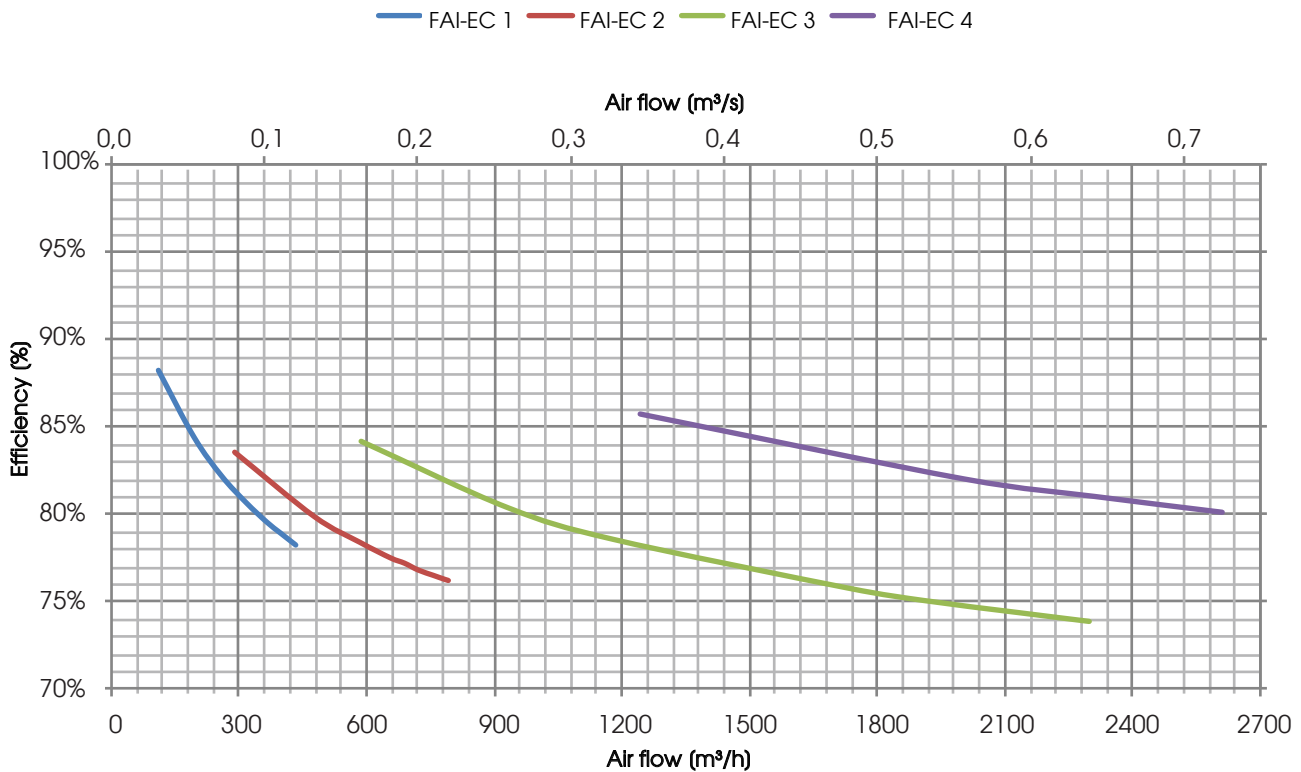
FAI-EC 4





HEAT RECOVERY PERFORMANCE (sensible efficiency)

Values referred to the following conditions (UNI EN 13141-7): T_{bs} external air 5°C; U.R. external 72%; T_{bs} environment 25°C; U.R. environment 28%



ECODESIGN

UNIT	$\eta_{t,nvru}$ (%)	q_{nom} (m³/s)	$\Delta p_{s,ext}$ (Pa)	P (kW)	SFP _{int} (W/(m³/s))	SFP _{int_lim 2016} (W/(m³/s))	SFP _{int_lim 2018} (W/(m³/s))	FACE VELOCITY (m/s)	$\Delta p_{s,int}$ (Pa)	η_{Fan} (%)	* Internal LEAKAGE (%)	* External LEAKAGE (%)
FAI-EC 1	79,3	0,11	100	0,17	818	1553	1273	1,24	407	49,9	6,8	8,9
FAI-EC 2	77,0	0,20	100	0,34	889	1470	1190	1,31	537	62,3	1,7	5,0
FAI-EC 3	78,8	0,34	350	0,91	1216	1502	1222	0,89	745	63,2	5,5	3,9
FAI-EC 4	81,9	0,56	350	1,42	1022	1564	1284	0,90	611	60,8	9,5	2,5

* Percentage of the nominal flow

VALUES ACCORDING UNI EN 1886: 2008

MOD.	CASING STRENGTH	CASING LEAKAGE	FILTER CLASS	THERMAL TRANSMITTANCE	THERMAL BRIDGE
FAI-EC 1	D1 (M)	L3 (M)	F7 (M)	T4 (M)	TB4 (M)
FAI-EC 2	D1 (M)	L3 (M)	F7 (M)	T4 (M)	TB4 (M)
FAI-EC 3	D1 (M)	L3 (M)	F7 (M)	T4 (M)	TB4 (M)
FAI-EC 4	D1 (M)	L3 (M)	F7 (M)	T4 (M)	TB4 (M)

TEST LEAKAGE (UNI EN 13141-7)

LEAKAGE	TEST CONDITIONS	FAI-EC 1	FAI-EC 2	FAI-EC 3	FAI-EC 4
OUTDOOR	Positive pressure 400 Pa	A3	A2	A2	A2
OUTDOOR	Negative pressure 400 Pa	A2	A2	A1	A1
INDOOR	Pressure difference 250 Pa	A3	A3	A2	A2



NOISE LEVEL

L_w Sound power level taken in accordance to UNI EN ISO 3747 - CLASS 3

	NOISE FROM THE CASE (dB)							
	125 Hz	250 Hz	500 Hz	1000 Hz	2000 Hz	4000 Hz	8000 Hz	L _w dB(A)
FAI-EC 1	64,0	70,6	61,7	53,4	44,8	38,6	38,9	64,2
FAI-EC 2	69,1	72,6	64,2	62,3	52,7	46,9	44,3	67,8
FAI-EC 3	75,9	78,1	70,2	65,1	56,1	51,7	49,1	72,7
FAI-EC 4	71,6	76,5	67,2	67,8	60,4	54,3	53,7	72,3

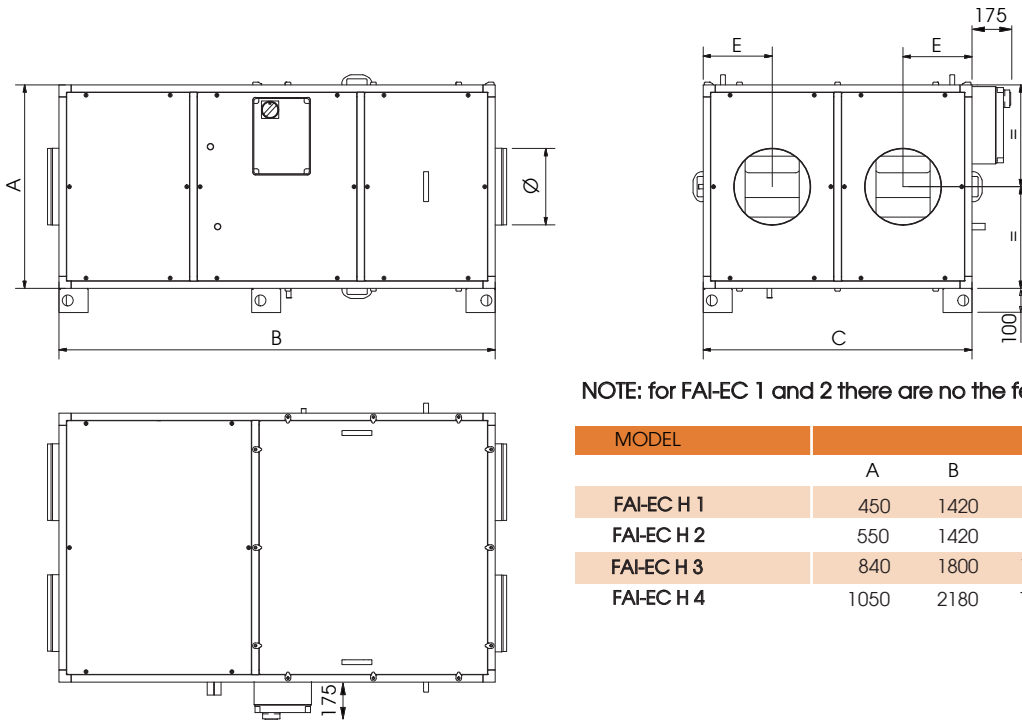
	NOISE IN THE SUPPLY AIR DUCTS (dB)							
	125 Hz	250 Hz	500 Hz	1000 Hz	2000 Hz	4000 Hz	8000 Hz	L _w dB(A)
FAI-EC 1	68,0	70,8	65,4	55,9	58,8	58,0	65,9	69,4
FAI-EC 2	66,7	80,3	62,9	60,1	74,6	54,8	69,0	77,9
FAI-EC 3	77,6	84,9	74,0	82,8	75,2	70,3	76,9	85,3
FAI-EC 4	79,6	81,7	80,8	81,9	78,8	71,4	79,2	86,2

ELECTRICAL DATA

MATCHING	FANS				UNIT FAI-EC		
	Power (W)	Supply	Current max. (A)	Insulation class	Supply	Current max. (A)	Insulation class
FAI EC 1	2 x 83	230V 50 Hz 1F	2 x 0,8	IP54 CLASSE B	230V 50 Hz 1F	1,5	IP20
FAI EC 2	2 x 170	230V 50 Hz 1F	2 x 1,4	IP54 CLASSE B	230V 50 Hz 1F	2,9	IP20
FAI EC 3	2 x 448	230V 50 Hz 1F	2 x 2,8	IP54 CLASSE B	230V 50 Hz 1F	5,7	IP20
FAI EC 4	2 x 715	230V 50 Hz 1F	2 x 3,1	IP54 CLASSE B	230V 50 Hz 1F	6,3	IP20

FAI-EC H

DIMENSIONS (mm) WEIGHT (kg)



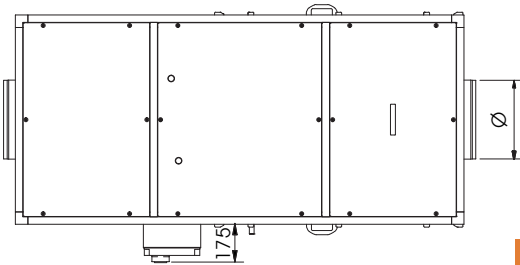
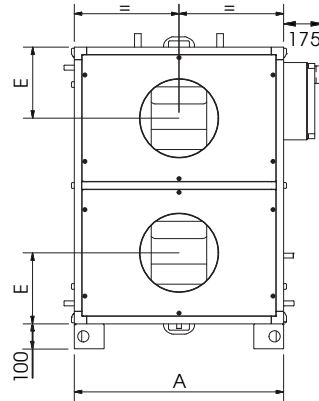
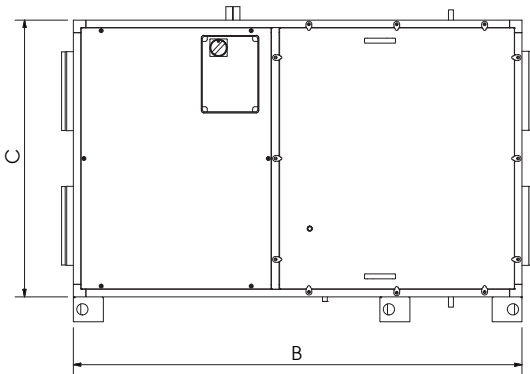
NOTE: for FAI-EC 1 and 2 there are no the feet but the brackets

MODEL	Dimensions (mm)					
	A	B	C	∅	E	Weight (kg)
FAI-EC H 1	450	1420	900	200	232	98
FAI-EC H 2	550	1420	900	250	232	114
FAI-EC H 3	840	1800	1100	315	285	273
FAI-EC H 4	1050	2180	1340	400	342	367



FAI-EC V

DIMENSIONS (mm) WEIGHT (kg)

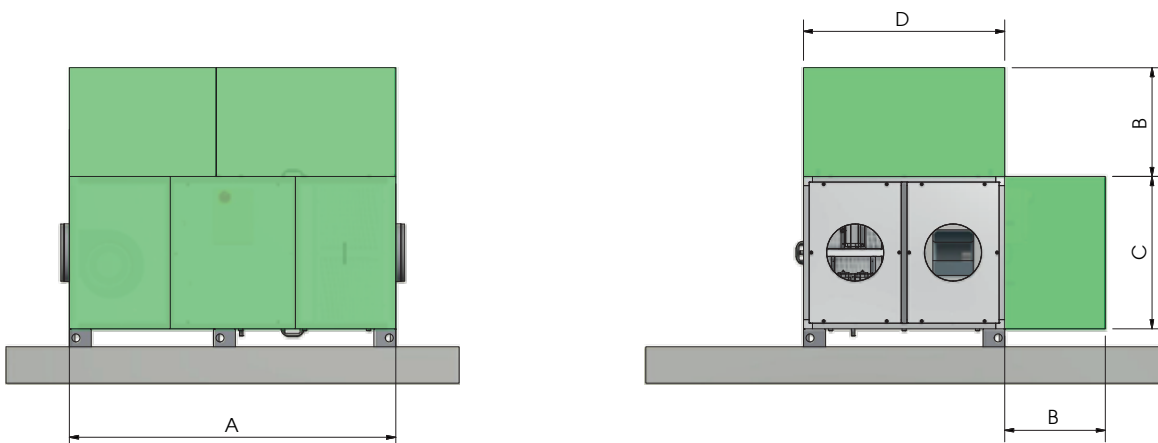


MODEL	Dimensions (mm)					Weight (kg)
	A	B	C	Ø	E	
FAI-EC V 1	450	1420	900	200	232	98
FAI-EC V 2	550	1420	900	250	232	114
FAI-EC V 3	840	1800	1100	315	285	273
FAI-EC V 4	1050	2180	1340	400	342	367

INSTALLATION FAI-EC H

FLOOR INSTALLATION

Minimum required space for maintenance (mm)

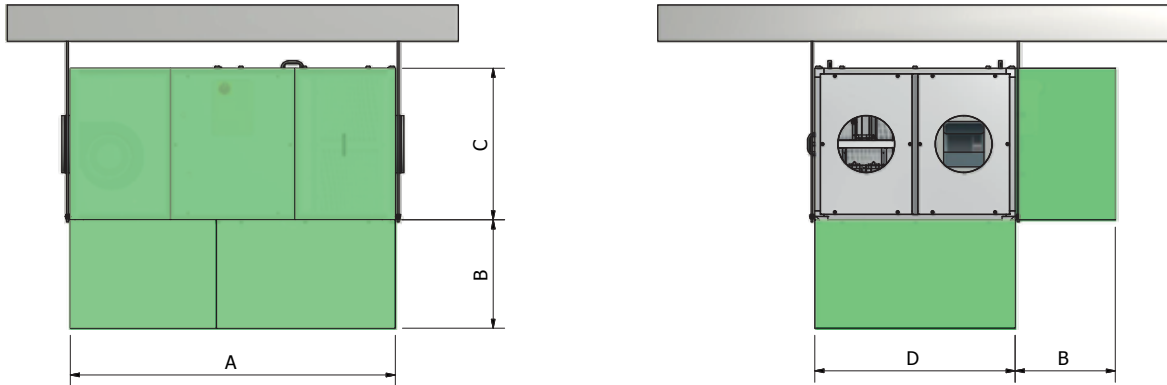


MODEL	Dimensions (mm)			
	A	B	C	D
FAI-EC H 1	1420	600	450	900
FAI-EC H 2	1420	600	550	900
FAI-EC H 3	1800	800	840	1100
FAI-EC H 4	2180	800	1050	1340



CEILING INSTALLATION

Minimum required space for maintenance (mm)



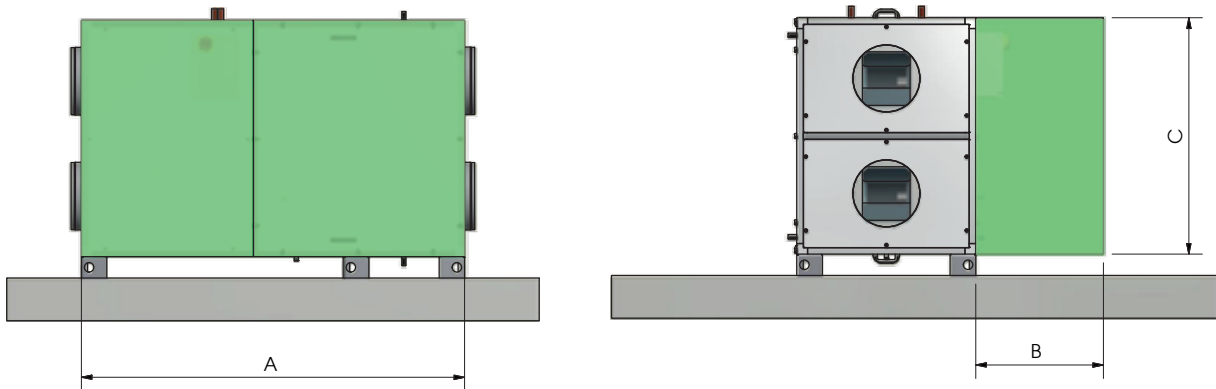
UNIT	Dimensions (mm)			
	A	B	C	D
FAI-EC H 1	1420	600	450	900
FAI-EC H 2	1420	600	550	900

The ceiling installation for 3-4 size of FAI-EC H it is not recommended. The manufacturer is not responsible for injury to persons or damages to things in case of this type of installation. **CAUTION:** The operations of inspection of the heat exchanger for these sizes can not be made manually for the high weight of the same which would result in an unacceptable level of risk.

INSTALLATION FAI-EC V

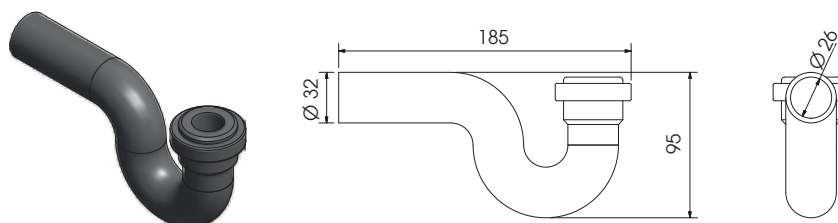
FLOOR INSTALLATION

Minimum required space for maintenance (mm)



MODEL	Dimensions (mm)		
	A	B	D
FAI-EC V 1	1420	600	900
FAI-EC V 2	1420	600	900
FAI-EC V 3	1800	800	1110
FAI-EC V 4	2180	800	1340

STANDARD SIPHON (mm)

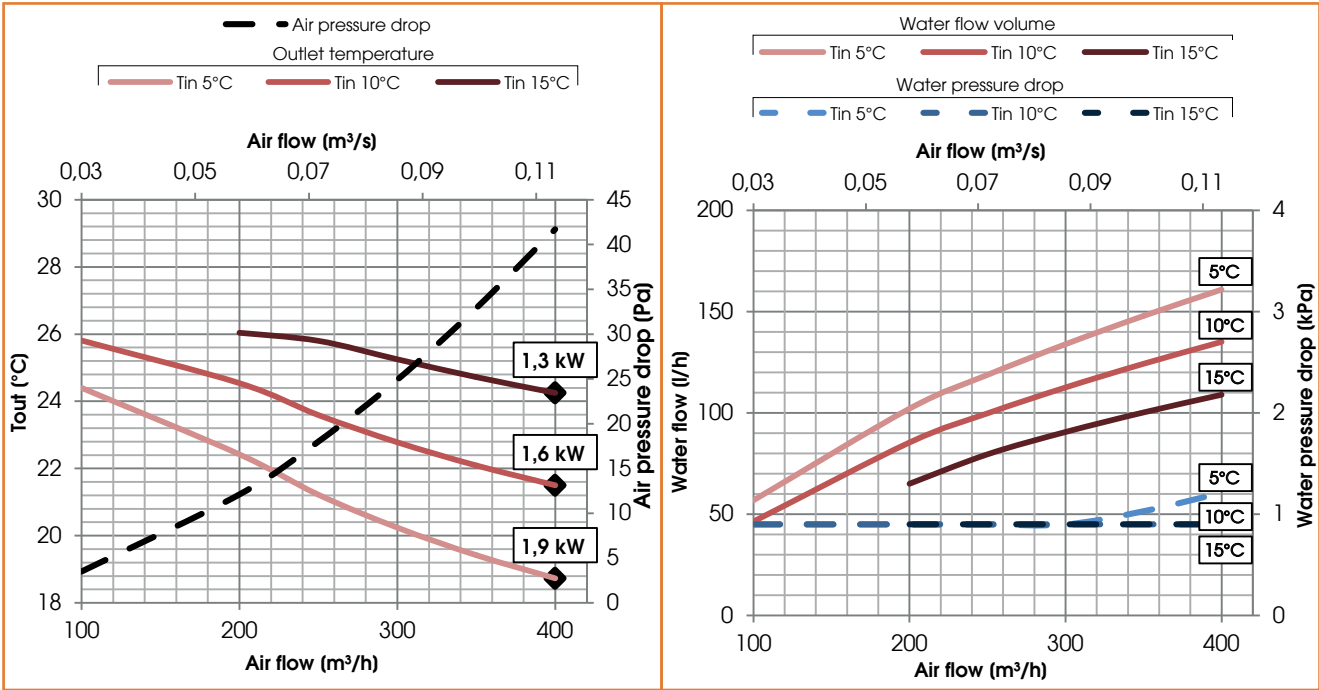


N.B. : predict 1 additional siphon if there is the cold water coil BA-AF / AC or DX gas (duct)



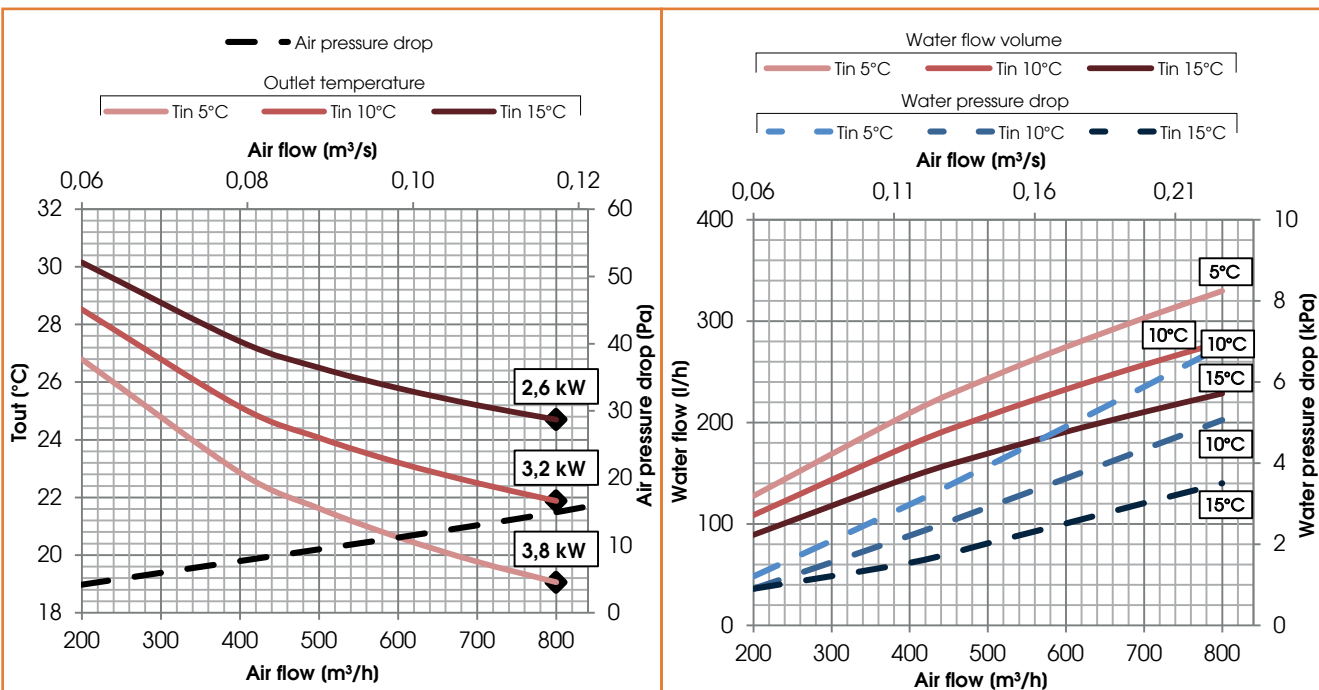
COILS FAI-EC 1
Heating water coil (45°C/35°C)

Ø WATER ("gas)	N. ROWS	FIN PITCH (mm)	INT.VOL. (dm ³)	MATERIALS		
				TUBES	FINS	FRAME
1/2"	2	2,5	1	Cu	Al	Fe Zn



COILS FAI-EC 2
Heating water coil (45°C/35°C)

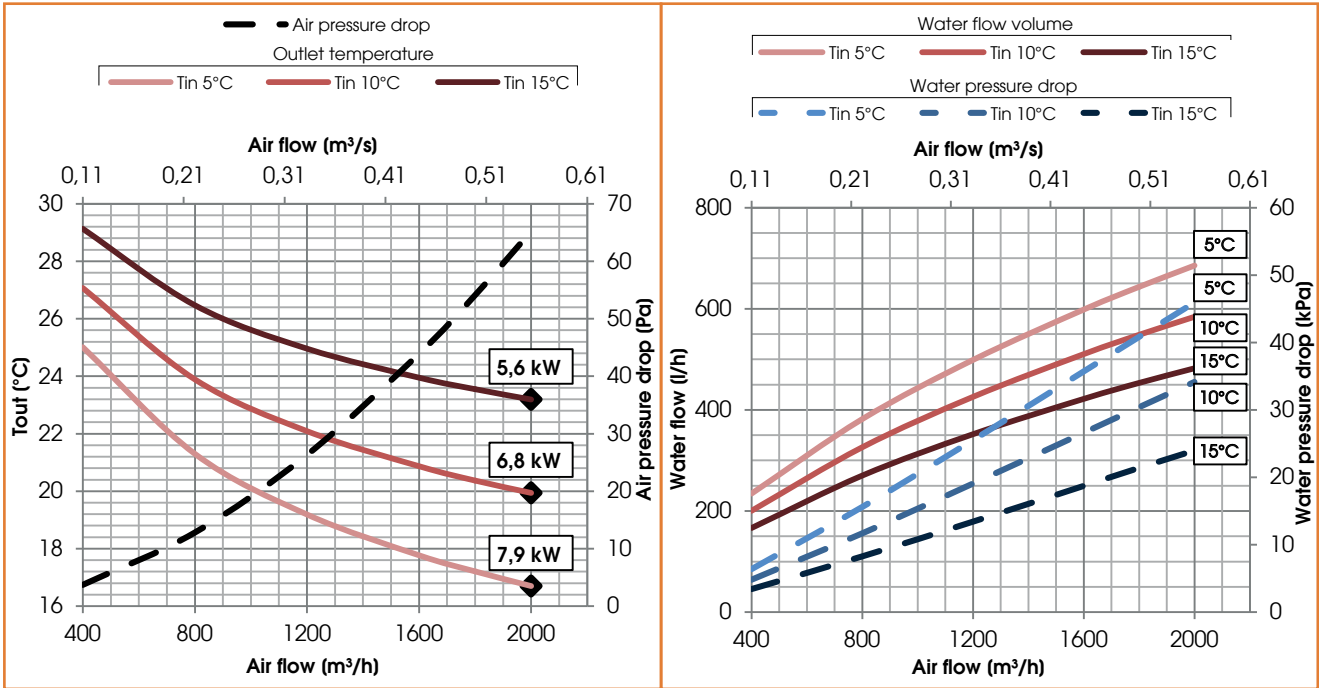
Ø WATER ("gas)	N. ROWS	FIN PITCH (mm)	INT.VOL. (dm ³)	MATERIALS		
				TUBES	FINS	FRAME
1/2"	2	2,5	1	Cu	Al	Fe Zn





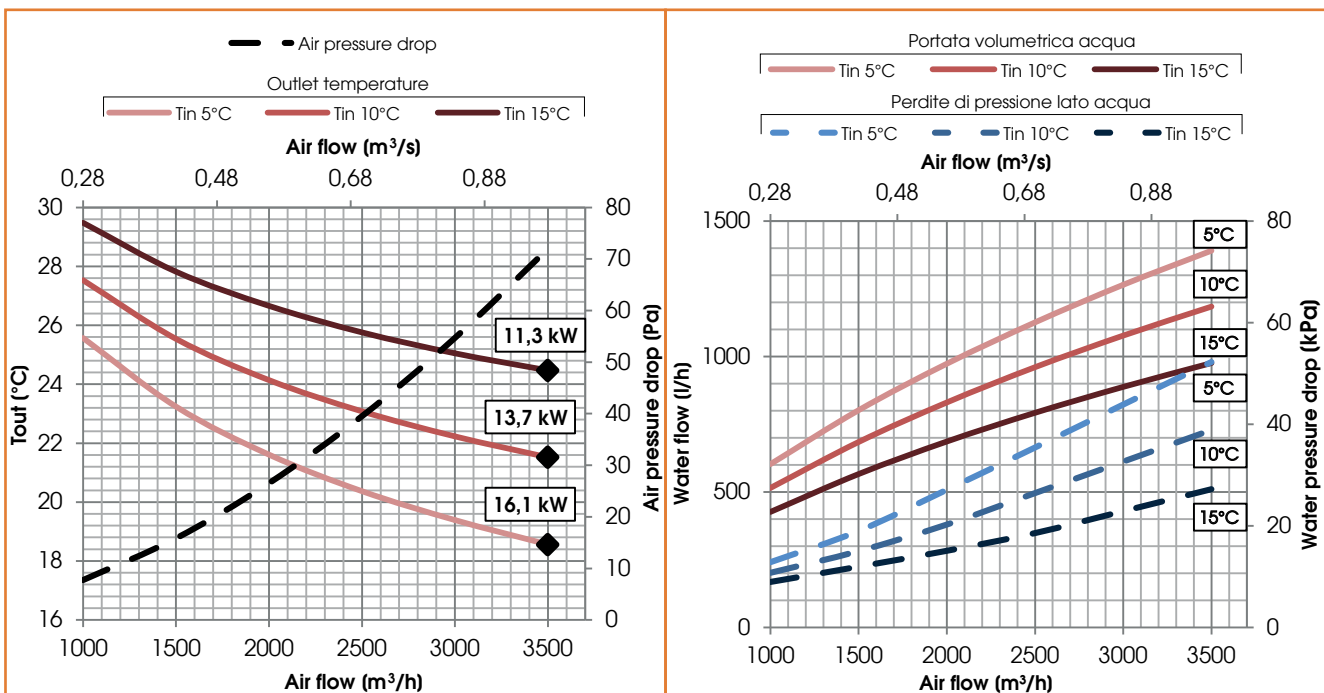
COILS FAI-EC 3
Heating water coil (45°C/35°C)

Ø WATER ("gas)	N. ROWS	FIN PITCH (mm)	INT.VOL. (dm ³)	MATERIALS		
				TUBES	FINS	FRAME
1/2"	2	3,0	2	Cu	Al	Fe Zn



COILS FAI-EC 4
Heating water coil (45°C/35°C)

Ø WATER ("gas)	N. ROWS	FIN PITCH (mm)	INT.VOL. (dm ³)	MATERIALS		
				TUBES	FINS	FRAME
3/4"	2	2,5	3	Cu	Al	Fe Zn





Electrical heater

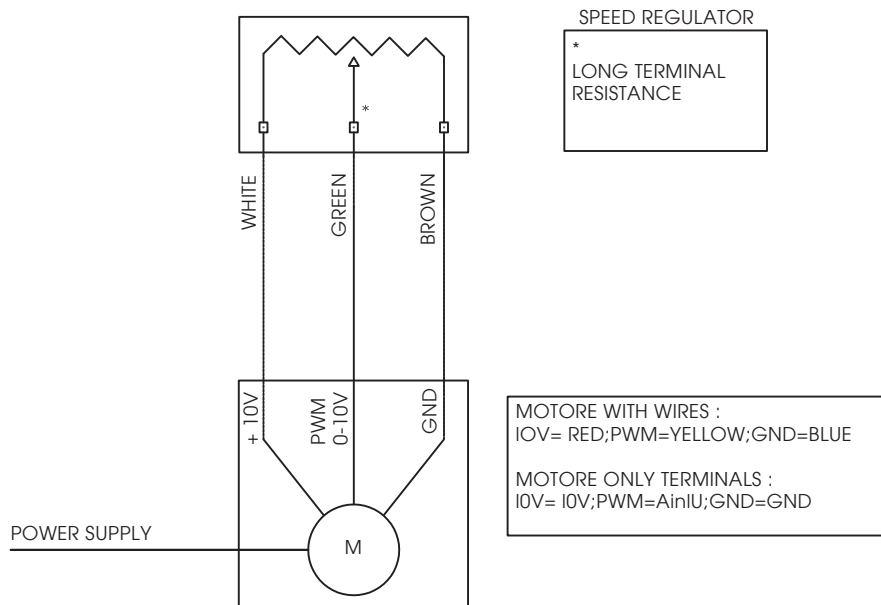
ELECTRICAL DATA RESISTANCE OF PRE / POST HEATING				
Unit	Power Supply	Power (kW)	Current (A)	N. stages
FAI-EC 1	230V, 50Hz, 1F	2	8,7	1
FAI-EC 2	230V, 50Hz, 1F	4	17,4	1
FAI-EC 3	230V, 50Hz, 1F	6	26,1	1
FAI-EC 4	230V, 50Hz, 1F	8	34,8	1
FAI-EC 4	400V, 50Hz, 3F	8	11,6	1

N.B. - for other batteries PRE or POST treatment see the Techno-list of ACCESSORIES



CVR regulator

VARIABLE RESISTANCE SPEED REGULATOR



A	Nome fornitore								
B	Identificativo modello	FAIEC 1 BP EVO-PH SH	FAIEC 2 BP EVO-PH SH	FAIEC 3 BP EVO-PH SH	FAIEC 4 BP EVO-PH SH				
C	Tipologia dichiarata	UVNR / UVB	UVNR / UVB	UVNR / UVB	UVNR / UVB				
D	Tipo di azionamento installato	Variable speed drive	Variable speed drive	variable speed drive	variable speed drive				
E	Tipo di sistema di recupero	other	other	other	other				
F	Efficienza termica del recupero di calore (%)	79,3	77,0	78,8	81,9				
G	Portata nominale della UVNR (m³/s)	0,11	0,20	0,34	0,56				
H	Potenza elettrica assorbita effettiva (kW)	0,17	0,34	0,91	1,42				
I	SPFint W/(m³/s)	818	889	1216	1022				
J	Velocità frontale alla portata di progettazione m/s	1,2	1,3	0,9	0,9				
K	Pressione esterna nominale (Pa)	100	100	350	350				
L	Caduta di pressione interna dei componenti della vent. (Pa)	407	537	745	611				
M	Opzionale: caduta di press. interna dei componenti estranei alla ventilazione	-	-	-	-				
N	Efficienza statica dei ventilatori usati come da regolamento (UE) n. 327/2011 (%)	49,9	62,3	63,2	60,8				
	Percentuale massima di trafilamento esterno della cassa delle unità di ventilazione (%)	8,9	5,0	3,9	2,5				
O	Percentuale massima dichiarata di trafilamento interno delle unità di ventilazione bidirezionali o flusso residuo (solo per gli scambiatori di calore rigenerativi) (%)	6,8	1,7	5,5	9,5				
P	Prestazione energetica o preferibilmente classificazione energetica dei filtri (informazioni dichiarate sul consumo annuo calcolato di energia)	F7/M5	F7/M5	F7/M5	F7/M5				
Q	posizione e descrizione del segnale visivo di avvertimento relativo al filtro per le UVR destinate ad essere usate con filtri, compreso un testo che ponga in rilievo l'importanza della sostituzione del filtro a intervalli regolari per salvaguardare la prestazione e l'efficienza energetica dell'unità	Filter warning is signaled on the display of the control system: the flashing writing "DirtyFilters" will appear. "To preserve the energy efficiency of the NRVU, it's recommended to replace the filters when signaled." Positioned near the filters inspection.							
R	Livello di potenza sonora sulla cassa (LWA) (dB)	64	68	73	72				
S									

VEÉHÁHÁG I I I €

WESTERNTM
AIRCONDITIONING